



240-Position Vertical Type DDRII Connectors

Description

FCI's 240-position DDRII DIMM connectors offer convenient add-on memory expansion for use with DDRII DIMM 240-position modules.

This vertical DDRII DIMM connector has 240 contacts with 1.00mm (0.039") pitch centerlines. It features rigid solder tails, dual ejectors and keying for proper module insertion.

Features & Benefits

- Straight plug-in design
- Low insertion force of 10.4kg (23lbs) max.
- Thru-hole
- Robust latch towers for modular alignment
- Dual ejectors for easy modular removal
- Plug and play
- Broad industry support
- Blue color housing option

Target Markets

- Personal Computers
- Network Servers

Target Applications

- Motherboards

Technical Data

Materials

- Housing
 - High Temperature Plastic, UL94V-0
- Ejector
 - High Temperature Plastic, UL94V-0
- Terminal
 - Copper Alloy
- Metal Peg
 - Copper Alloy
- Plastic Peg
 - High Temperature Plastic, UL94V-0



Mechanical Performance

- Meets Intel DDRII mTTS Revision 0.80
- Insertion Force: 10.4kg (23lbs) max.

Electrical Performance

- Meets EIA 364-70
- Insulation Resistance
 - 1 M Ω min. with 500V
- Dielectric Withstanding Voltage
 - 500V
- Current Rating
 - 0.5 Amp max. per contact
- Contact Resistance
 - 30 m Ω max. initial

Specifications

- FCI Product Specification GS-12-251

Packaging

- Tray

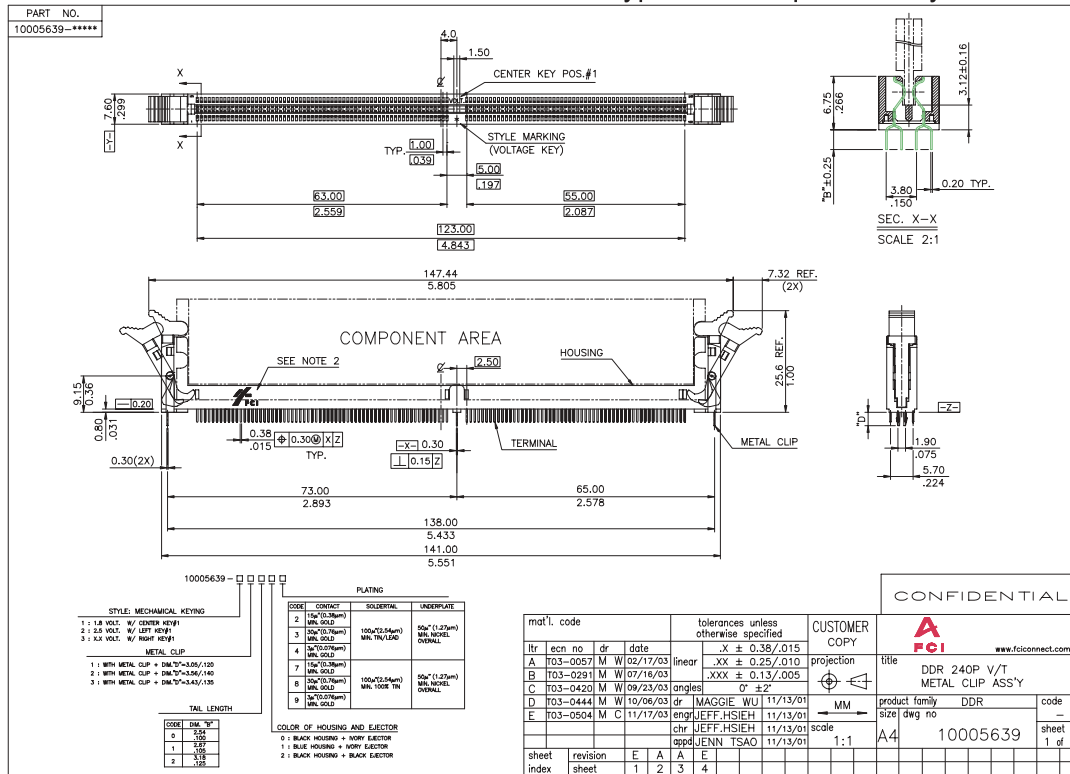
Available in All Regions

- Sample Production: Now
- Mass Production: Year 2004, First Quarter



Ordering Information

- Part Numbers
 - 10005639 DDRII 240-Position Vertical Type Metal Clip Assembly



- 10023061 DDRII 240-Position Vertical Type Plastic Clip Assembly

