



FCI

Single Port Low Profile Modular Jack Connectors

Description

The 8-position, Single Port, RJ45 Right Angle Receptacle Modular Jack connector is targeted for the Data and Communications market.

The product features a simple, flexible and low profile design for LAN application, in particular, the Network Interface Card.

The design conforms to US Federal Regulations Code, Title 47, part 68, which defines the size and configuration of all units that are permitted for connection to the public exchange facilities.



Features & Benefits

- 8-position contact
- Internal shielded SMT
- Plug and play
- Hot plugging capability
- TIA / EIA CAT3, Max. Frequency 100MHz.
- Broad industry support
- Standard feature in new PC chipsets
- Simple & flexible design
- Lead-free option available

Target Markets

- Data
- Communications

Target Applications

- LAN Card

Technical Data

Materials

- Housing
 - High temperature plastic, UL 94V-0
- Contact
 - Copper alloy
- Shield
 - Copper alloy

Mechanical Performance

- Operating life
 - 750 cycles min.
- Mating force
 - 5 lbs. max.
- Contact pressure
 - 100 gms. min.
- Plug to jack retention
 - 11 lbs. min.



Electrical Performance

- Voltage rating
 - 125 VAC RMS.
- Current rating
 - 1.5 amp
- Contact resistance
 - 35 mΩ max.
- Insulation resistance
 - 1000 MΩ min. @ 500 VDC
- Dielectric strength
 - 1000 VAC RMS 60Hz, 1 min.

Specifications

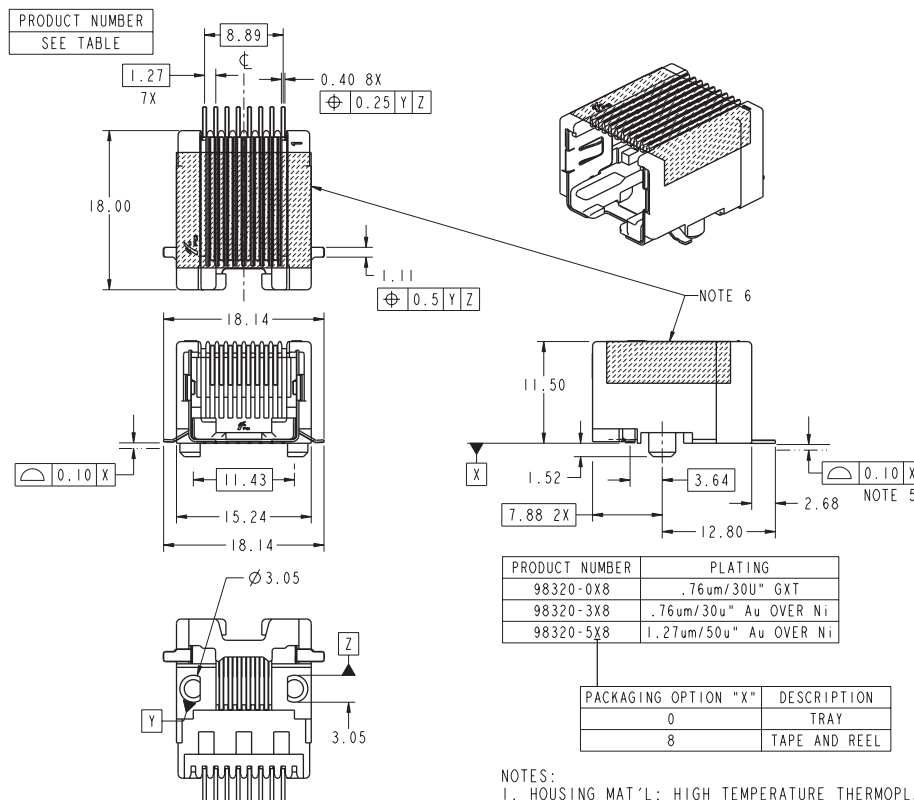
- FCC Part 68F
- EIA 568B
- FCI Product Specification GS-12-083

Packaging

- Tray
- Tape-and-Reel

Ordering Information

- Part Number
 - 98320 8-position Low Profile SMT Internal Shielded Modular Jack



- NOTES:
1. HOUSING MAT'L: HIGH TEMPERATURE THERMOPLASTIC, COLOR BLACK, UL94V-0.
 2. CONTACT MAT'L: PHOS BRONZE ALLOY
MATING AREA PLATING: Au OVER Ni (SEE TABLE)
SOLDER AREA PLATING: 2.54um/100u" MIN IIN/LEAD OVER Ni.
 3. SHIELD MAT'L: PRE-TIN PLATED COPPER ALLOY.
 4. ALL DIMENSIONS ARE IN MILLIMETERS.
 5. COPLANARITY APPLIES TO HOLD-DOWNS AND SOLDER TAILS.
 6. KAPTON TAPE PLACED APPROXIMATELY AS SHOWN FOR VACUUM PICK UP.

© Copyright FCI, S.A.
All rights reserved.

SP 85PMU 0503 E