

Product Catalog



FCI: SETTING THE STANDARD FOR CONNECTORS

With operations in 30 countries, FCI is a leading manufacturer of connectors.

Our 13,500 employees are committed to providing customers with high-quality, innovative products for a wide range of consumer and industrial applications.



THE EASY WAY TO DO BUSINESS

Basics+ brings together our proven, standard connectors for board-to-board and wire/cable-to-board applications. Our goal is to save you time by providing "Easy To Use" services. All services are accessible via the dedicated Basics+ web site : www.fciconnect.com/basics

■ EASY TO SELECT A PRODUCT

This catalogue provides an easy overview of the most standard Basics+ products. For even more choice, our web catalogue provides the step search possibility that guides you step-by-step to your part number

■ EASY TO GET DOCUMENTATION

Data sheets, product drawings, specifications, application notes, packaging drawings and more are available on the web site for download. Just type the product number in the search field to get to the data sheet. From there you can easily access more supporting information.

■ EASY TO GET TECHNICAL SUPPORT

Get your technical questions answered within 24 hours on our e-mail hotline basics.help@fciconnect.com

■ EASY TO GET SAMPLES

Order a sample today, and you can start to work with your Basics+ product right away! Sample orders can be placed via the web site.

■ EASY TO GET COMMERCIAL INFORMATION

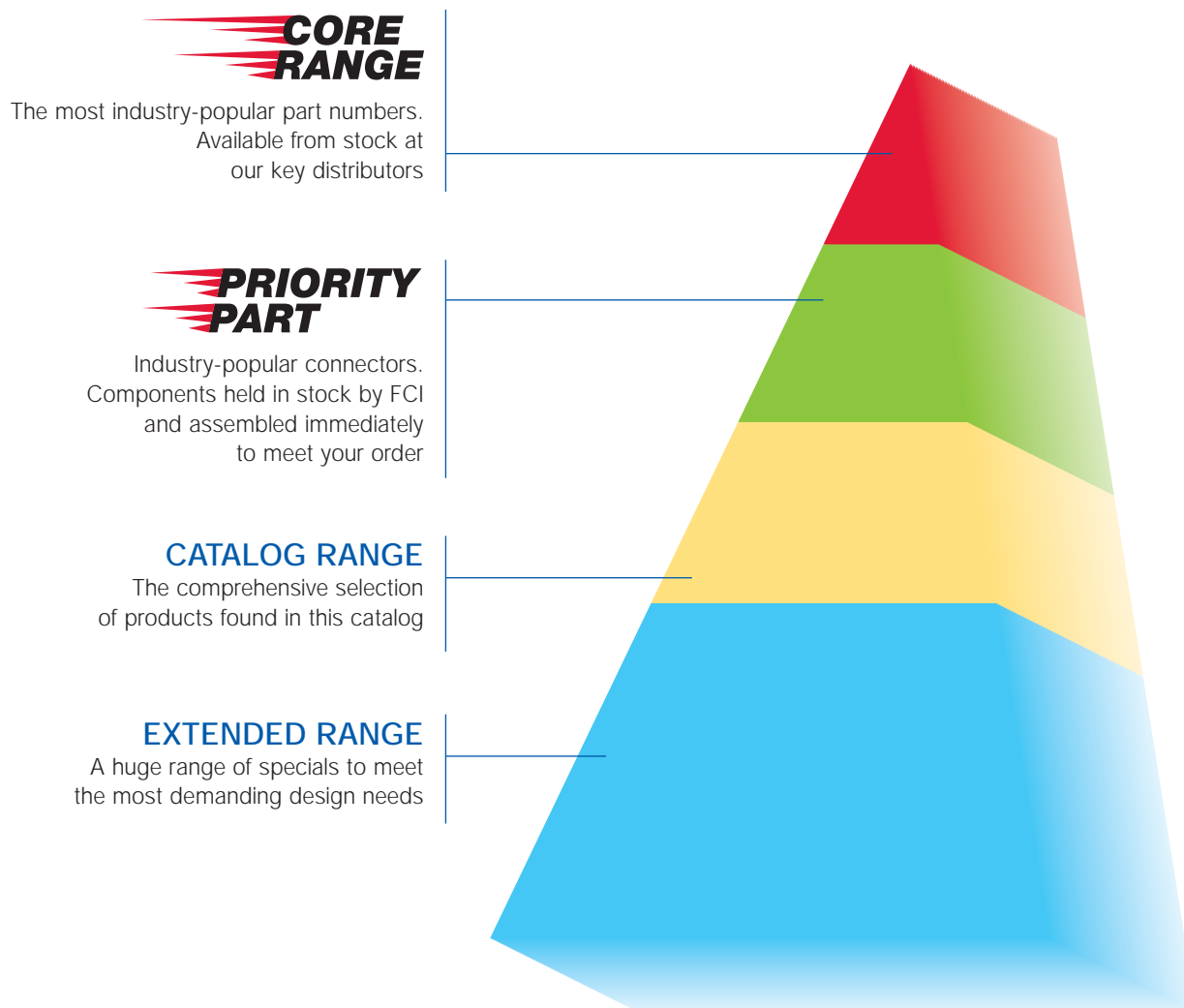
As a customer, you can have registered online access to prices, packaging quantities, minimum order quantities, and lead times. All the commercial information you need is at your fingertips.

■ EASY TO GET PRODUCTS

The CORE RANGE and PRIORITY PARTS offerings provide fast access to Basics+ products. See next page.

HOW TO CHOOSE YOUR **basics+** PARTS

The total Basics+ offering is very extensive and includes products to meet almost every design need. To help make your choices easier we have organised the range as shown below.



BOARD-TO-BOARD



BergStik® Unshrouded Headers 2.54mm (.100")	
Vertical - selective plating	10
Vertical - full plated	12
Vertical - continuous	14
Right angle - selective plating	16
Right angle - full plated	18
Stacking headers	20

Minitek™ Unshrouded Headers 2mm (.079")	
Vertical	54
Right angle	56
Stacking	58



Dubox™ Board-to-Board Receptacles 2.54mm (.100")	
Vertical	24
Low profile vertical - through mount	26
Low profile vertical - surface mount	28
Horizontal	30
Minitek™ Vertical receptacles	60



Dubox™ Shunts	22
Minitek™ Shunts	62

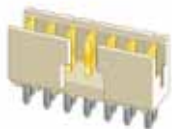
WIRE-TO-BOARD



Dubox™ Crimp-To-Wire 2.54mm (.100")	
Contacts	34
Housings	36

PV™ Superior Performance Crimp-To-Wire 2.54mm (.100")	
Contacts	40
Housings	42

Minitek™ Crimp-To-Wire 2.00mm (.079")	
Contacts	68
Housings	68



Minitek™ Shrouded Headers 2.54mm (.100)	32
PV™ Superior Performance Shrouded Headers 2.54mm (.100")	38

Minitek™ Shrouded Headers 2.00mm (.079")	
Vertical	64
Right angle	66

CABLE-TO-BOARD



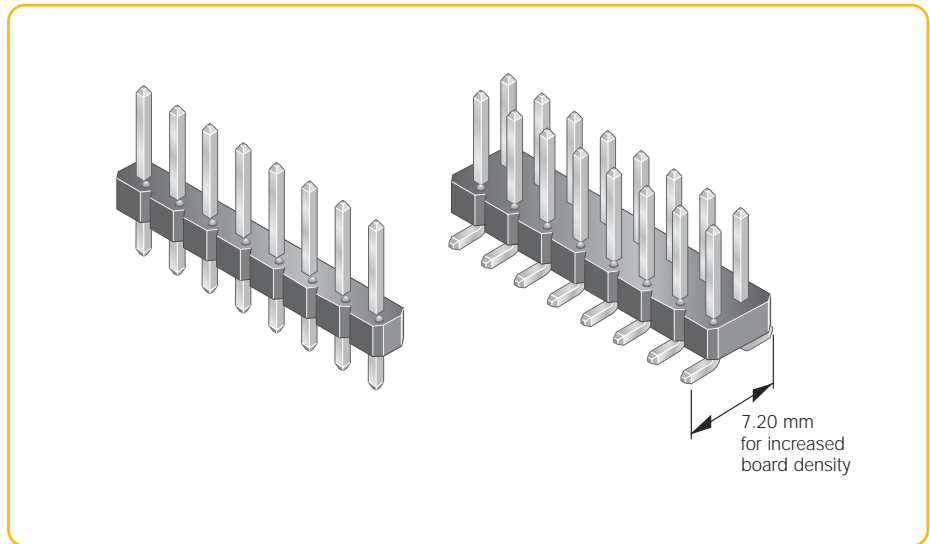
Quickie IDC Receptacles 2.54mm (.100)	50
Quickie® PCB Connectors 2.54mm (.100)	52
Minitek™ IDC Receptacles 2.00mm (.079")	70



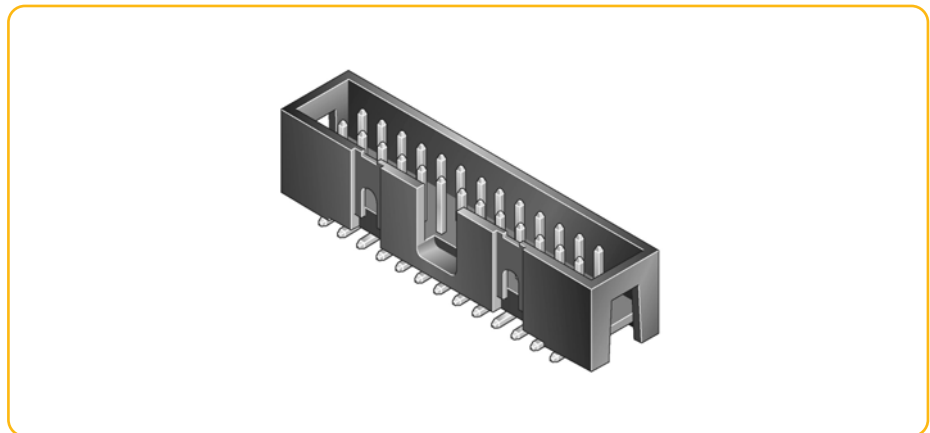
Quickie® Shrouded Headers 2.54mm (.100")	
Low Profile	44
Surface Mount and Pin-in-Paste	46
Eject latch	48

Minitek™ Shrouded Headers 2.00mm (.079")	
Vertical	64
Right angle	66

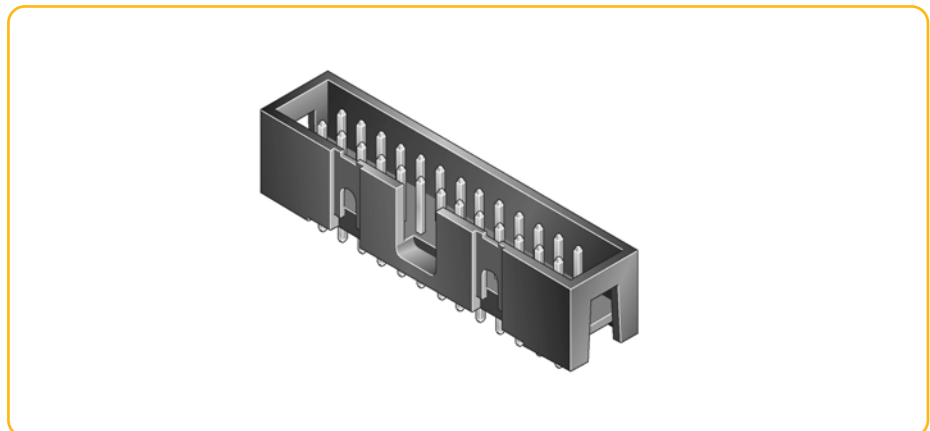
- ▶ Selectively plated headers means you only get gold on the pin tip where you want it and not in the solder bath where you don't.
Pages 10, 11, 16, 17.



- ▶ SMT Quickie[®] Low Profile Header.
Page 46-47



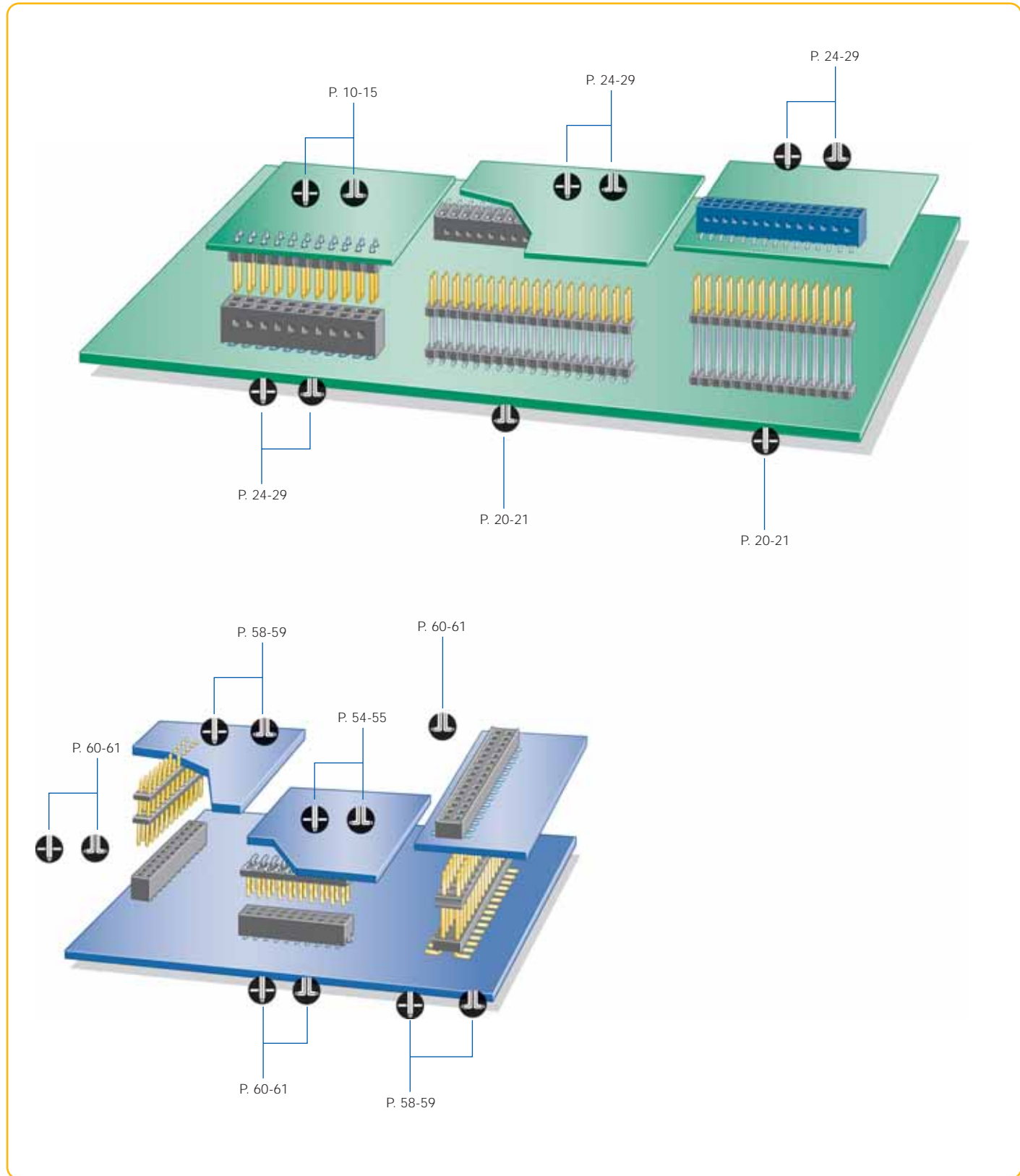
- ▶ The Pin-in-Paste Quickie[®] Low Profile Header features a special high temperature housing and is compatible with IR reflow soldering processes.
Page 46-47



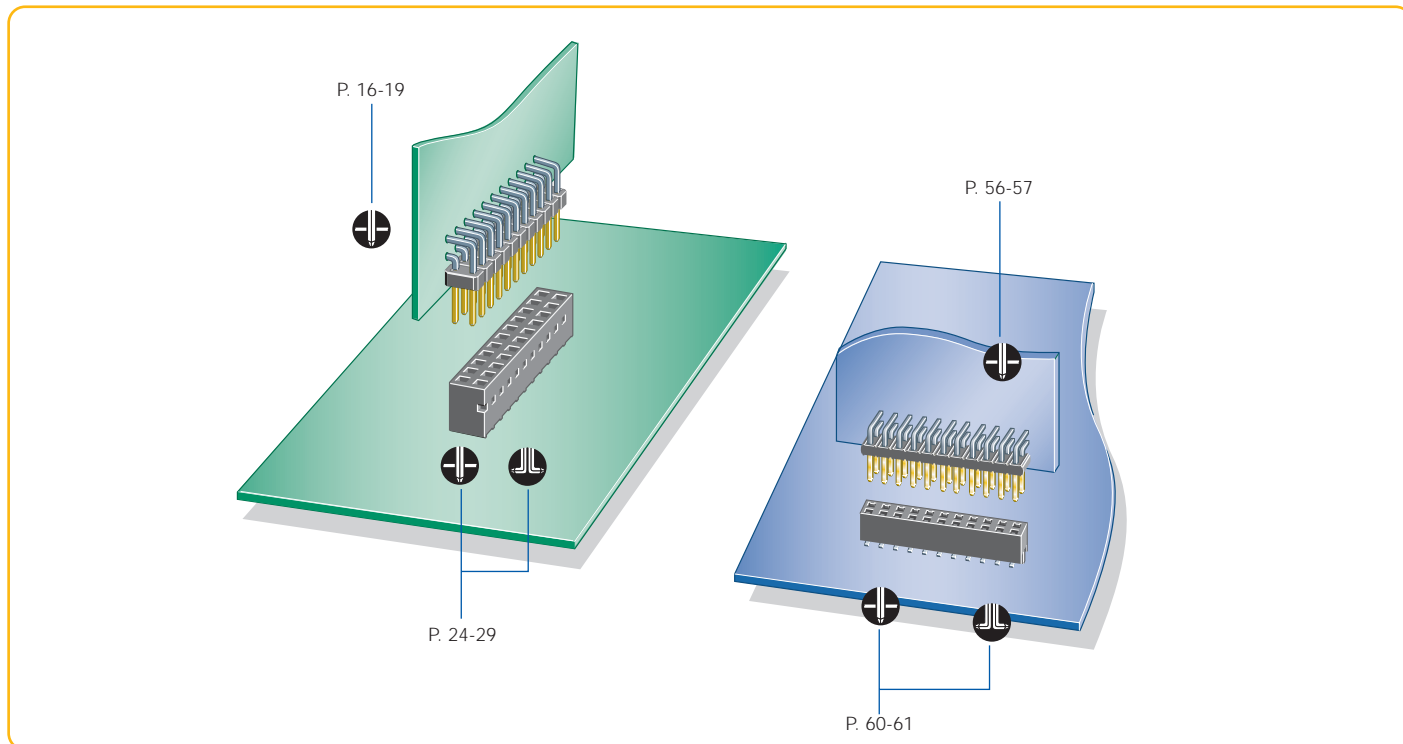


BOARD-TO-BOARD SOLUTIONS

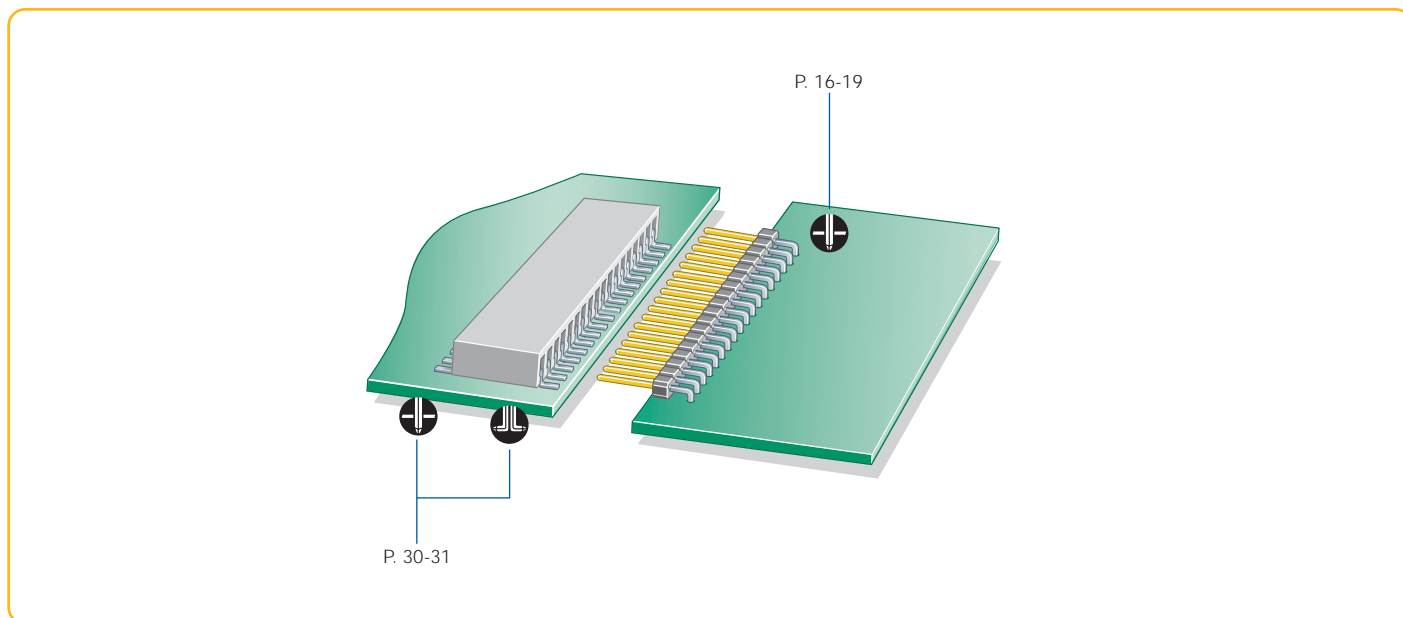
PARALLEL




PERPENDICULAR




PLANAR



 = 2.54 mm

 = Through Mount

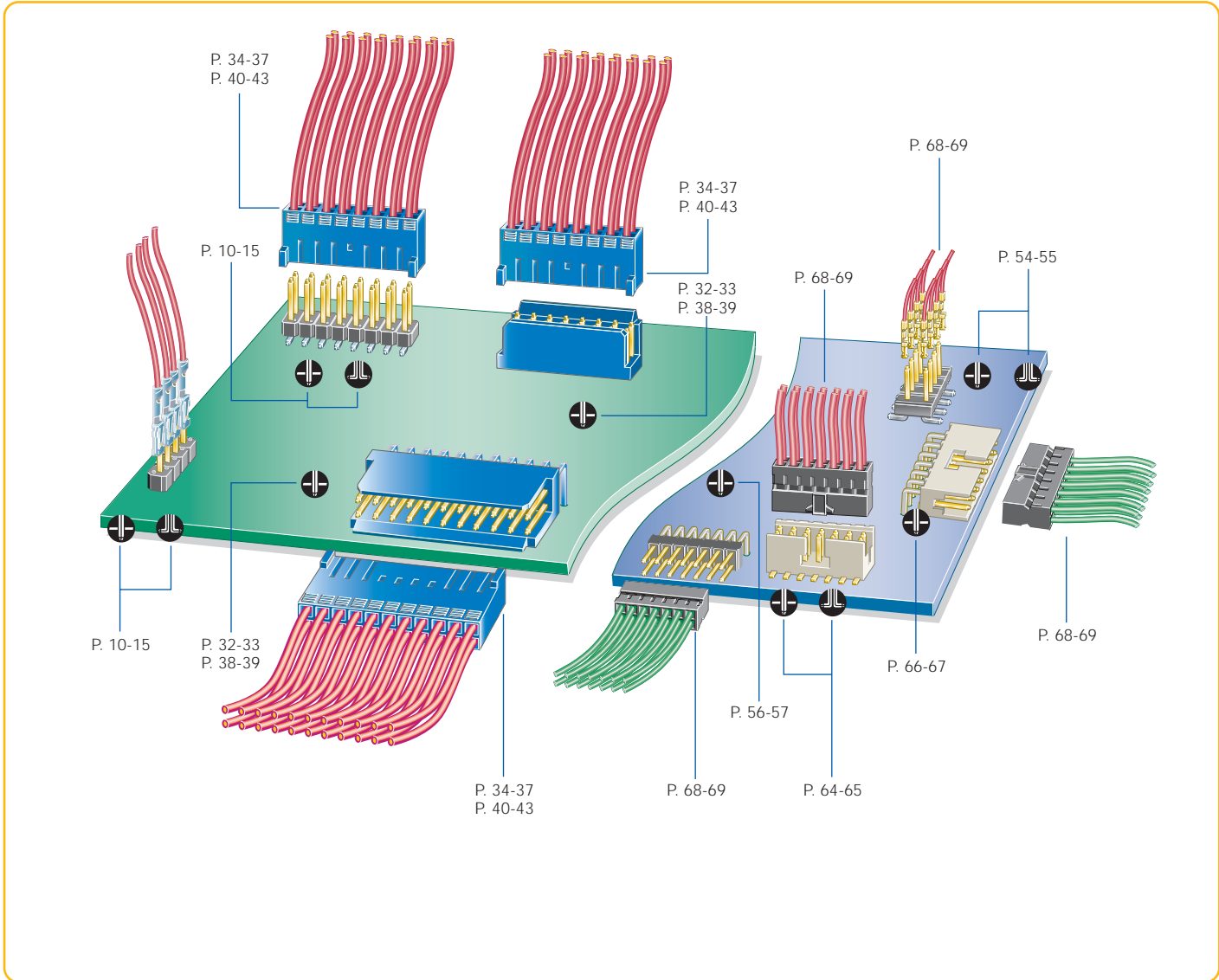
 = 2.00 mm

 = Surface Mount



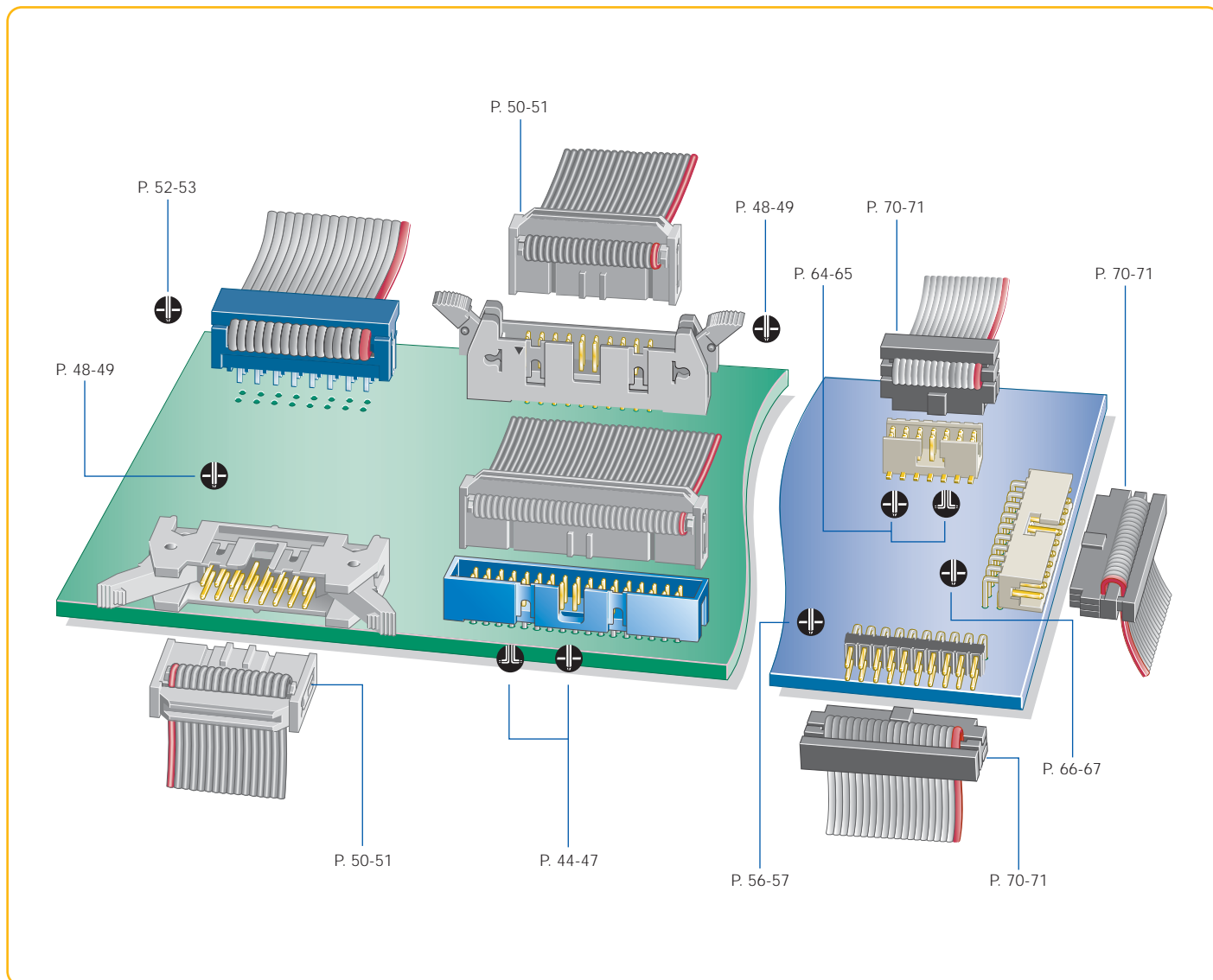
WIRE-TO-BOARD SOLUTIONS



DISCRETE WIRE





CABLE-TO-BOARD SOLUTIONS

FLAT CABLE IDC



 = 2.54 mm
 = 2.00 mm

 = Through Mount
 = Surface Mount