

Hermaphroditic “mates-to-itself” design improves business

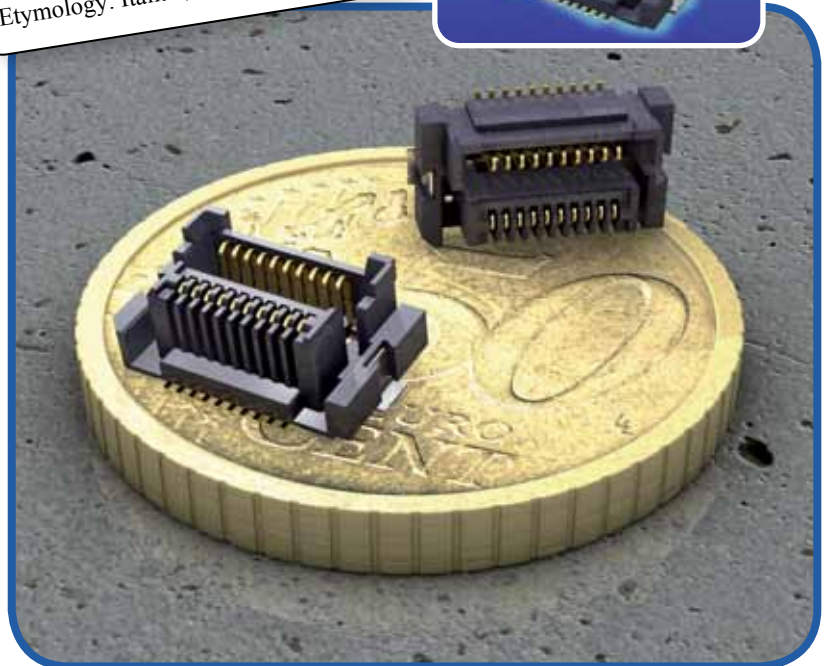
For your business:

- “Half” the part numbers;
Twice the volume
- “Half” the variation;
Twice the productivity
- “Half” the inventory;
Twice the turns

For your design:

- “Half” the size;
Twice the space savings
- “Half” the alignment;
Twice the precision
- “Half” the complexity;
Twice the capability

mezzo [met-soh, med-zoh, mez-oh]
adjective, noun
Middle, medium, half
Etymology: Italian; Latin *medius*



MezzoStak™

0.5 mm Mezzanine Connectors

SENSIBLE

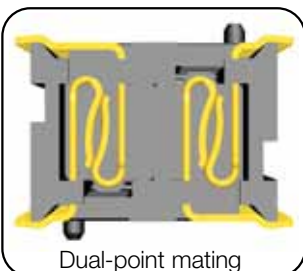
- ▀ Fewer partnumbers
 - ▀ Simplifies connector selection and maintenance
 - ▀ Increases relative volumes
 - ▀ Reduces costs for FCI and customers
- ▀ Competitive footprint compatibility

RUGGED


- ▀ Guidance “scoops” on housing permit easy connector mating even when mis-aligned
- ▀ PCB and mating polarization prevents errors
- ▀ Robust design suited for high operating temperatures to 125°C

FAST

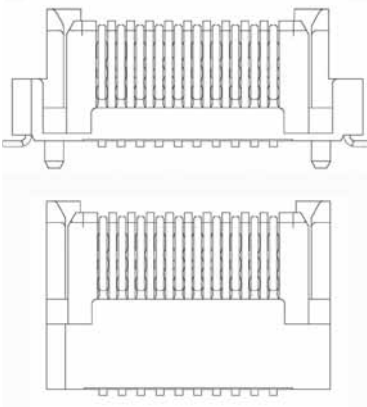
- ▀ High Speed applications, including PCIeG2, supported by signal integrity reports and S-parameter models



Dual-point mating



Guidance Scoops



- ▀ **Standard size**
Metal hold-downs and PCB pegs enhance strength and positioning
- ▀ **Short option**
Saves space

- ▀ **Stack heights: 4mm to 7mm**
- ▀ **Sizes: 20 to 70 positions**

MEZSelect™

Serving portable equipment, terminals, instruments, metering and many other electronic applications and segments

2.0 mm, 2.5 mm, 3.0 mm, 3.5 mm Portfolio		
Connector 1 Mating height	Stack height	Connector 2 Mating height
also 2.0 mm	4.0 mm	also 2.0 mm
2.0 mm	4.5 mm	2.5 mm
also 2.5 mm	5.0 mm	also 2.5 mm
2.0 mm	5.5 mm	3.0 mm
2.0 mm	6.0 mm	3.5 mm
2.5 mm	6.5 mm	3.0 mm
also 3.0 mm	7.0 mm	also 3.0 mm
2.5 mm	7.5 mm	3.5 mm
3.0 mm	8.0 mm	3.5 mm
also 3.5 mm	8.5 mm	also 3.5 mm
<div style="display: flex; justify-content: space-between; align-items: center;"> ▲ <div style="text-align: center;"> <p>Stack heights in light blue use the same connector P/N for both mating halves</p> </div> ▲ </div>		

MezzoStak is a trademark under registration of FCI
For status of product release, please consult customer drawings

Find your part at www.fciconnect.com/mezzostak

ELXFLMEZZOS0911EA4