

Type GTC1AC34RA

Protective Grounding Clamp For Pad Mounted Equipment

A newly designed Protective Grounding Clamp for making secure connections when installing Protective Grounding Sets on Pad Mounted Equipment.

Features a 90° right angle side entry for ferrule. Cable connection will now exit clamp parallel with grounding bar allowing cable set to remain within the cabinet. Closing the cabinet doors will now be easier and will no more require to infringe safety clearance zone.

Eliminates awkward hotstick mounting and tightening of clamp jaws from elevated angles. Improves safety thanks to easier respect of minimum approach distance.

The clamp is used as a base for new grounding sets or can be retrofit on most grounding sets for pad mounted equipment.

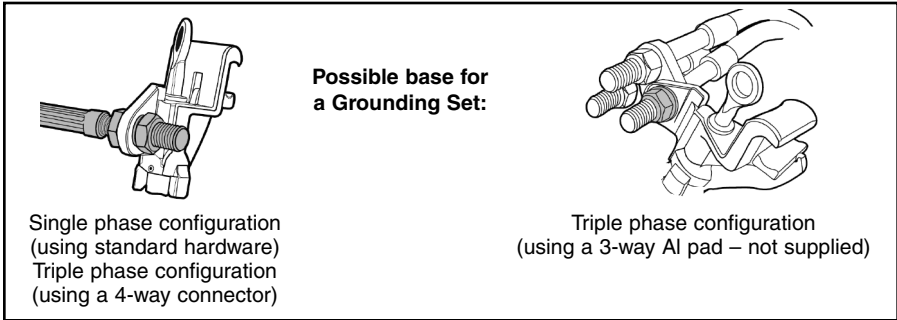
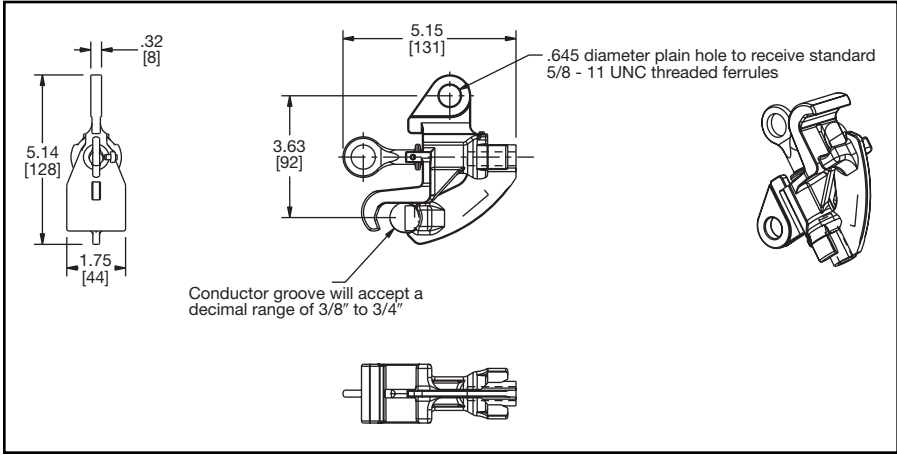
Designed and manufactured in the U.S.A.

Catalog Number: **GTC1AC34RA**



Features

- ASTM classification (F855-04):
 - Grade 3 (27kA for 15 cycles)
 - Class A/Type I/C-shape
 - Brass alloy
 - Weight: 1.85 Lbs.
- Jaw range: round section conductor 3/8" to 3/4" diameter.



For more information, contact FCI - BURNDY Products

In the U.S. call: 1-800-346-4175 International: 1-603-647-5299

Ontario, Atlantic & Western Canada call: 1-800-387-6487 (English) 1-416-757-8761 (Français)

In Quebec & Eastern Ontario call: 1-800-387-6487 (English) 1-800-361-6975 (Français)