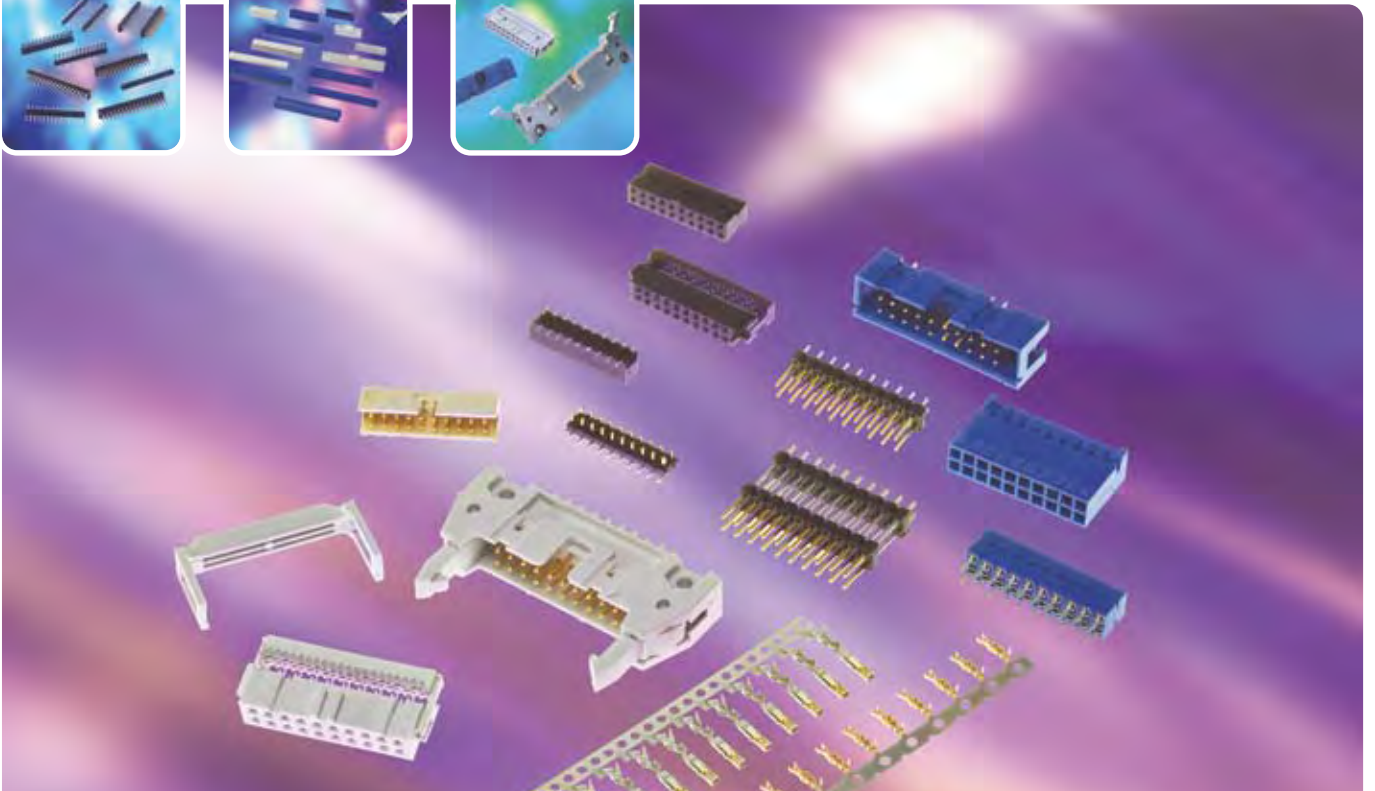
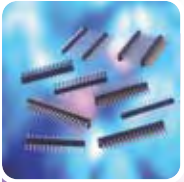




**NEW**  
SHORT LEAD TIMES  
[www.fci.com/basicstleadtimes](http://www.fci.com/basicstleadtimes)



Product Catalog  
OPTIONS & APPLICATION TOOLING



If you need something more than the standard parts in this catalog, Basics+ has many more options to help you in your design process. Here are just some examples.

▀ Locating pins on SMT headers



▀ Polarized (missing) positions



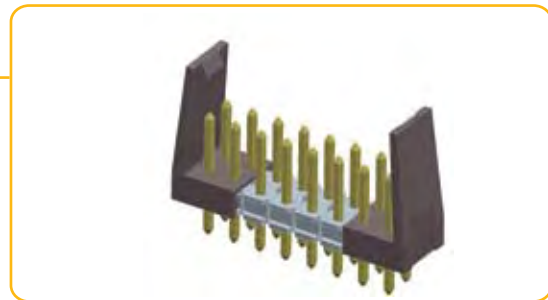
▀ Kinked legs



▀ Press-fit pins



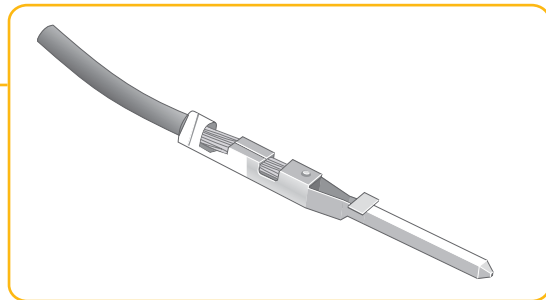
▀ Add-on latches for headers



Wide body headers



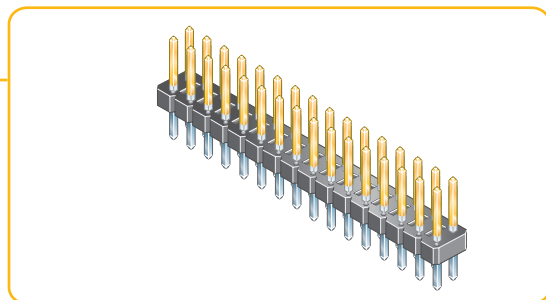
Crimp-to-wire pin



Printed housings



Additional plating options



Pin-in-paste headers



Visit: [www.fci.com/basicsdesign](http://www.fci.com/basicsdesign) to specify your design need



## DUBOX™ CRIMP-TO-WIRE CONTACTS

Contact Description	Wire size	Hand Tool	Mini-Applicator (right to left feeding)	Mini-Applicator (left to right feeding)	Repair Tool
Dubox	AWG 20-22	RCY21235	RCY20027	RCY20017	HT 272
Dubox	AWG 22-24	RCY21234	RCY20008	RCY20029	HT 272
Dubox	AWG 26-30	RCY21234	RCY20008	RCY20029	HT 272
Small insulation Dubox	AWG 28-32	-	RCY20028		HT 272

## PV™ CRIMP-TO-WIRE CONTACTS

Contact Description	Wire size	Hand Tool	Mini-Applicator	Repair Tool
Standard Mini-PV	AWG 18-20	HT-0073	133867-104	HT-0080
Standard Mini-PV	AWG 22-26	HT-0095	133867-105	HT-0080
Standard Mini-PV	AWG 28-32	HT-0095	133867-106	HT-0080
Standard Mini-PV	AWG 34-36	HT-0112	133867-108	HT-0080
Small Insulation PV	AWG 22-26	HT-207	-	HT-0080
Small Insulation PV	AWG 28-32	HT-217	-	HT-0080

## MINITEK™ CRIMP-TO-WIRE CONTACTS

Contact Description	Wire size	Hand Tool	Mini-Applicator	Repair Tool
Minitex	AWG 26-30	RCY21151	155250-101	HT-0080
Minitex	AWG 32-36	RCY21152	155250-102	HT-0080

## Application Equipment

---

### BergStik® AND Bergstrip®

- ▶ Manual cutting tool: HT 320
- ▶ Automatic cutting machine for Bergstrip: BSS-300

### Quickie® IDC

- ▶ Manual flat cable cutter: HT 209
- ▶ Quickie assembly hand tool: HT 210
- ▶ Many other variations of manual, semi- automatic and automatic tools available upon request.

### Minitek® IDC

- ▶ Manual flat cable cutter: HT 209
- ▶ Hand Press: QP-104

## Where to get your tooling

These toolings and more detailed advice, pricing, availability etc. are available through your distributor or from the following suppliers:

#### ▶ Americas

Phone: 1-800-843-6911  
E-mail: [doug.sheaffer@fciconnect.com](mailto:doug.sheaffer@fciconnect.com)

#### ▶ Europe

Föhrenbach Application Tooling N.V.  
Phone: +32 3 216 19 98  
Email : [application.tooling@foehrenbach.be](mailto:application.tooling@foehrenbach.be)

#### ▶ Asia

Phone: +65 549 6666  
E-mail: [fcising\\_sales@fciconnect.com](mailto:fcising_sales@fciconnect.com)

For more information about e-catalog or FCI  
sales offices, headquarters, agents and local distributors,  
visit [www.fci.com](http://www.fci.com)



Americas - Phone: 1 (800) 237 2374 ■ Europe - - Phone: 33 1 39 49 21 83 ■ Asia/Pacific - Phone: 65 6549 6666

ELXBASICSO6O8EA4