

1

2

3

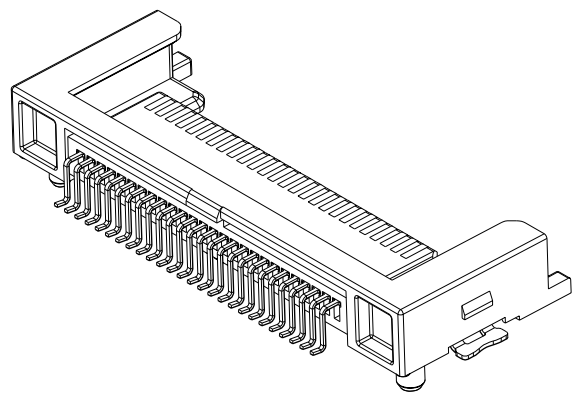
4

A

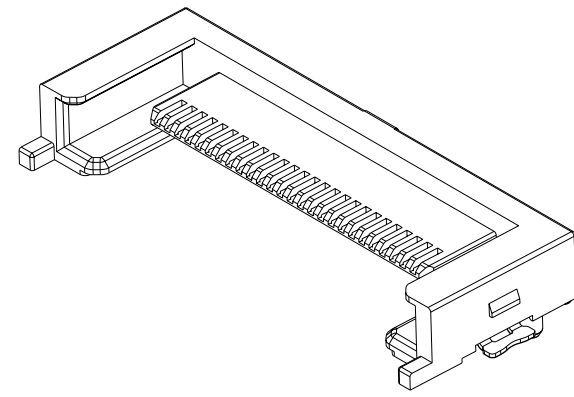
B

C

D



SCALE 2.000



SCALE 2.000

NOTES:

- 1. MATERIAL:  
HOUSING: HIGH TEMPERATURE THERMOPLASTIC, UL94 V-0 FLAME RETARDANT;  
TERMINAL: COPPER ALLOY, PLATING SPECIFICATION AS BELOW:  
Ni 50u" UNDER PLATED,  
Au OR GXT ON CONTACT AREA (ONE SIDE)  
Tin 120u" VOER SOLDERING AREA
- 2. PRODUCT PERFORMANCE PER SPECIFICATION GS-12-285;
- 3. PRODUCT PACKING PER SPECIFICATION GS-14-924;
- 4. RoHS COMPATIBLE PRODUCT SPECIFICATIONS  
a-PLATING:  
-"LF" MEANS THE PRODUCT IS LEAD-FREE, 2micro-meter MINIMUM MATTE TIN  
OVER 1.27micro-meter MINIMUM NICKEL UNDERPLATE.  
b-MANUFACTURING PROCESS COMPATIBILITY.  
-THE HOUSING WILL WITHSTAND EXPOSURE TO 260°C±5°C SOLDER BATH TEMPERATURE FOR 5 SECONDS IN A REFLOW SOLDER APPLICATION WITH A 1.6mm MIN THICK CIRCUIT BOARD.
- 5. PART NUMBER SCHEME:  
10030584-X X X X XLF



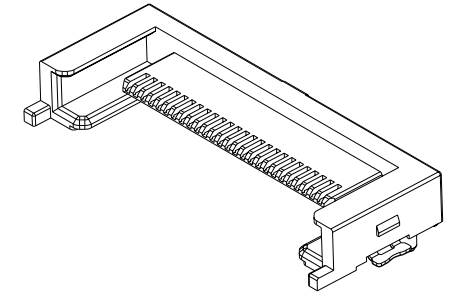
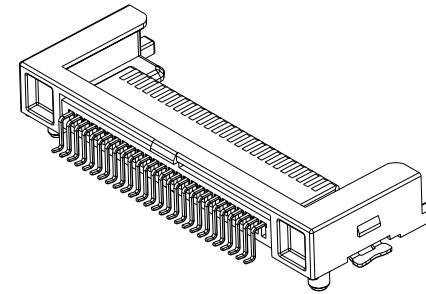
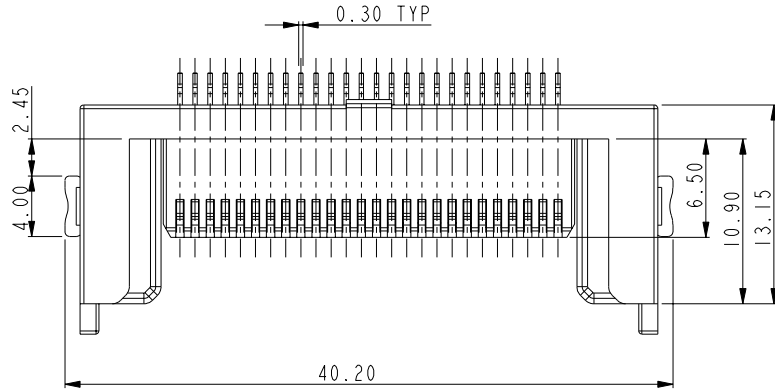
Copyright FCI.

MYLAR	
1	WITH
2	WITHOUT
PACKAGING	
1	TUBE (N/A)
2	TAPE AND REEL
3	TRAY
CONTACT PLATING	
1	GOLD 30u"
2	GXT 30u"
4	GXT 15u"
STAND-OFF	
1	+0.0
PLASTIC COLOR	
1	BLACK
2	NATURE

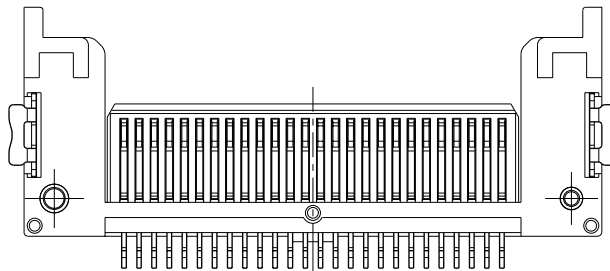
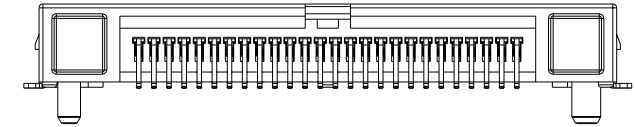
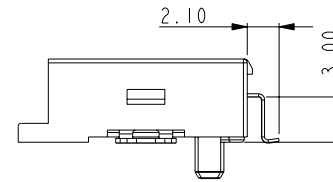
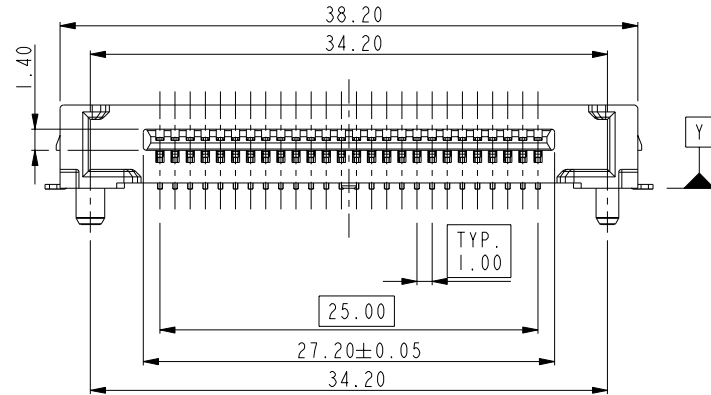
rev	ecn no	dr	date
A	T04-0374	TAI	09/20/2004
B	T05-0024	TAI	01/31/2004
C	T05-0047	TAI	03/07/2005
D	T05-0104	TAI	05/11/2005
E	N08-0069	R.B	04/28/2008
F	N09-0353	R.B	11/04/2009
-	-	-	-

www.fciconnect.com			surface <input checked="" type="checkbox"/> tolerance std	projection	MM
			ASME Y14.5		
TOLERANCES UNLESS OTHERWISE SPECIFIED			ANGULAR	size	Scale
Dr	A. JUANG	07/03/03	LINEAR	A4	1.000
Eng	A. JUANG	07/03/03	0° ±2°	ECN	*
Chr	SCOTT LU	07/03/03	0.X ±0.50		
Appr	JENN TSAO	07/03/03	0.XX ±0.30		
			0.XXX ±0.10		
Product family EXPRESSCARD				Spec ref	*
			title	HOST CONNECTOR ASS'Y	Rev.
			EXPRESSCARD		F
			catalog no	10030584	dwg no
				CUSTOMER	10030584
				sheet 1 of 3	

PART NO.	NOTE
10030584-XIXLFL	TOP MOUNT



SCALE 1.500



www.fciconnect.com		surface	tolerance std	projection	MM
		✓	ASME Y14.5	⊕	←→
TOLERANCES UNLESS OTHERWISE SPECIFIED					
Dr	A. JUANG	07/03/03	ANGULAR	0.X ±0.50	size A4
Eng	A. JUANG	07/03/03	LINEAR	0.XX ±0.30	Scale 1.000
Chr	SCOTT LU	07/03/03	0° ±2°	0.XXX ±0.10	ECN *
Appr	JENN TSAO	07/03/03	Product family EXPRESSCARD		Spec ref *
		title HOST CONNECTOR ASS'Y		dwg no 10030584	Rev. F
		EXPRESSCARD		CUSTOMER	sheet 2 of 3
		catalog no 10030584			



Copyright FCI.

