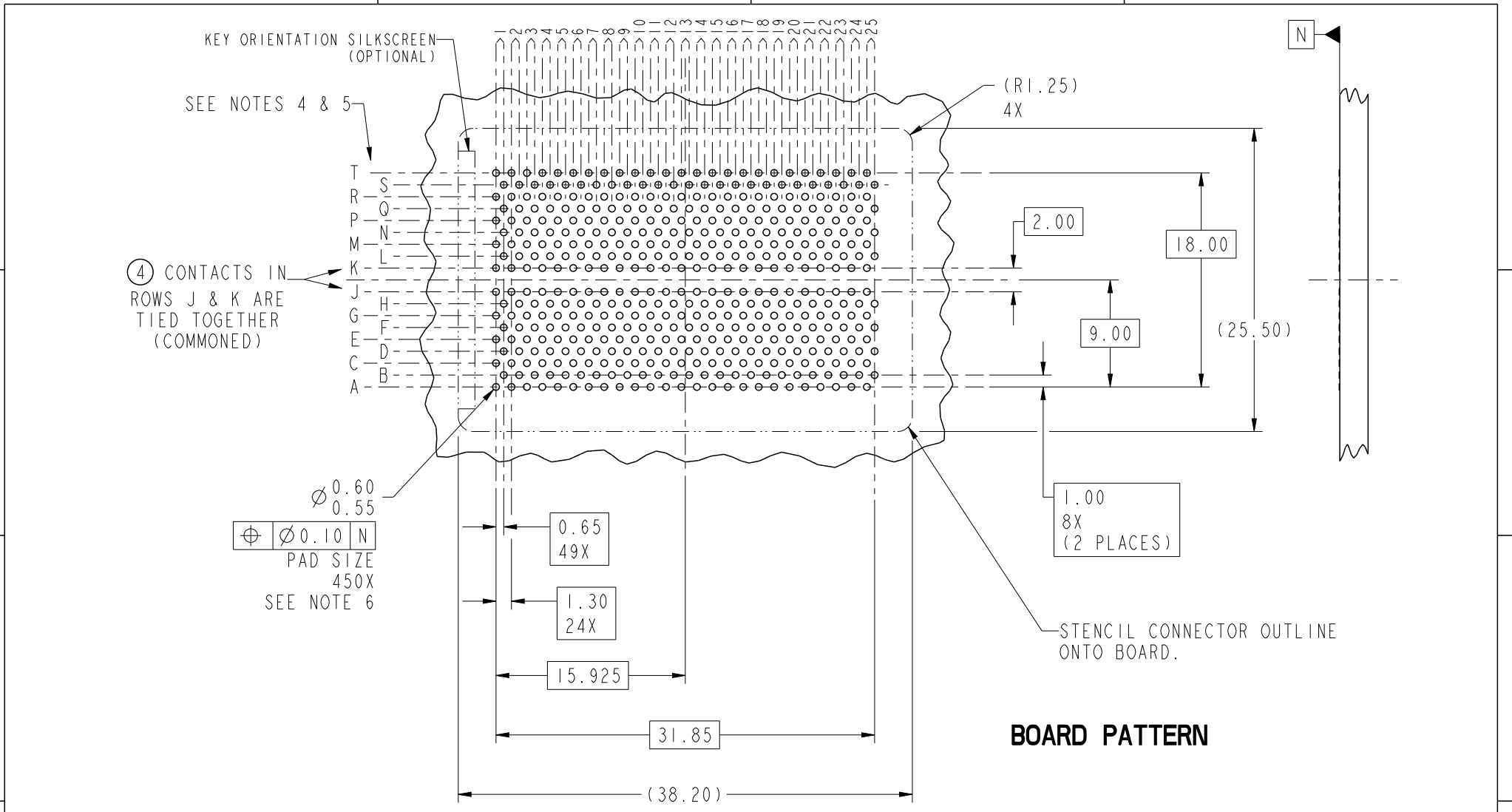




Copyright FCI.



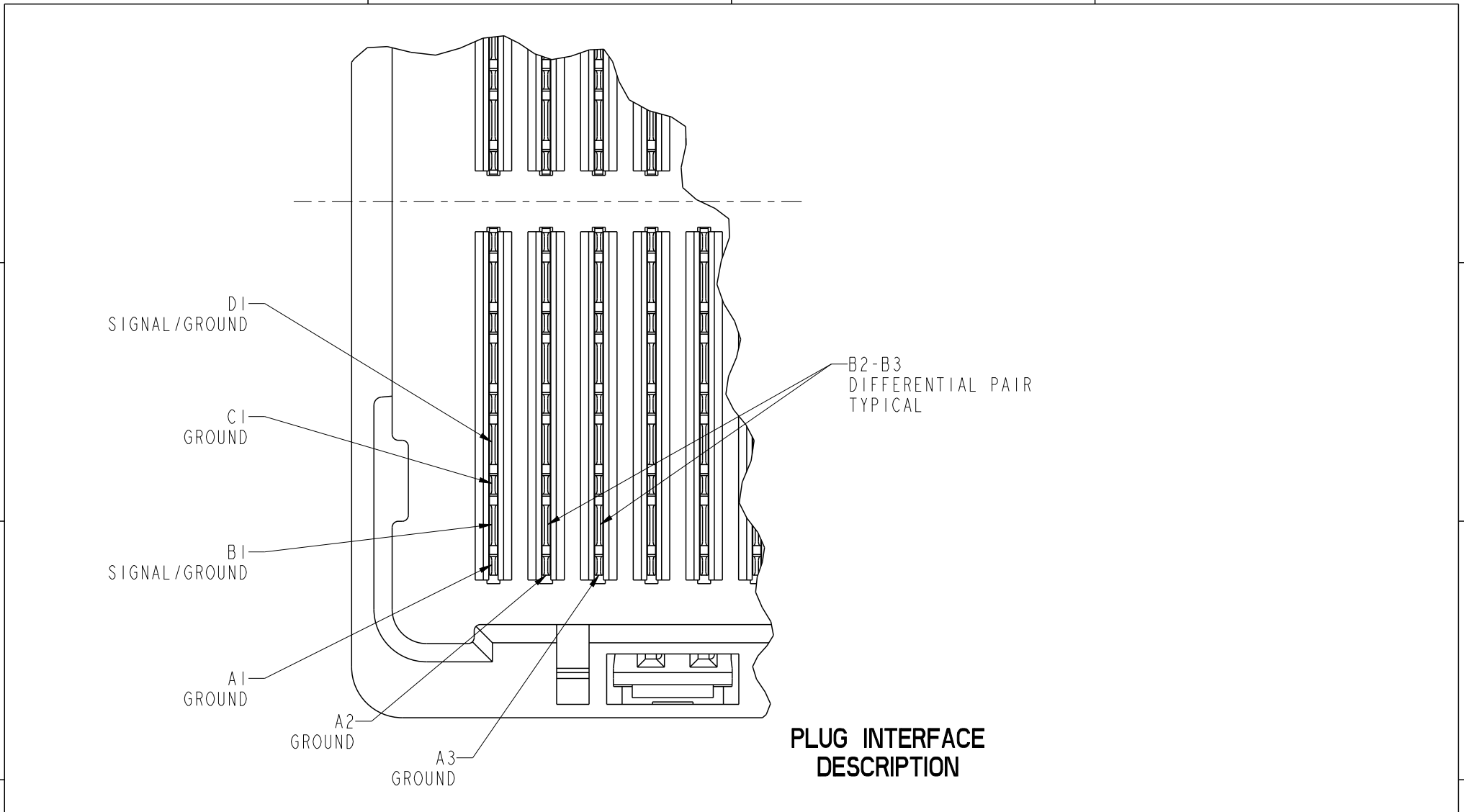
BOARD PATTERN

spec ref	-	dr	Bill Lin	2010/02/02	projection	mm	size	A4	scale	1:1												
tolerance std	ASME Y14.5	eng	Nickor Zuo	2011/05/26			ecn no				ELX-DG-003943-1											
TOLERANCES UNLESS OTHERWISE SPECIFIED		chr	Alex Cao	2011/06/24			rel level					Released										
surface	<table border="1"> <tr><td>linear</td><td>0.X</td><td>±0.30</td></tr> <tr><td></td><td>0.XX</td><td>±0.10</td></tr> <tr><td></td><td>0.XXX</td><td>±0.05</td></tr> <tr><td>angular</td><td>0°</td><td>±2°</td></tr> </table>	linear	0.X	±0.30				0.XX	±0.10		0.XXX	±0.05	angular	0°	±2°	appr	Pei-Ming Zheng	2011/06/27	product family		GIG-Array	
linear	0.X	±0.30																				
	0.XX	±0.10																				
	0.XXX	±0.05																				
angular	0°	±2°																				
					title			GIG-Array		dwg no												
		www.fci.com			cat. no.			12mm PLUG ASSY. 200 SIG. POS.		10026802												
					Product - Customer Drw				sheet 2 of 5													

PrdE File - REV C - 2009-06-09



Copyright FCI.

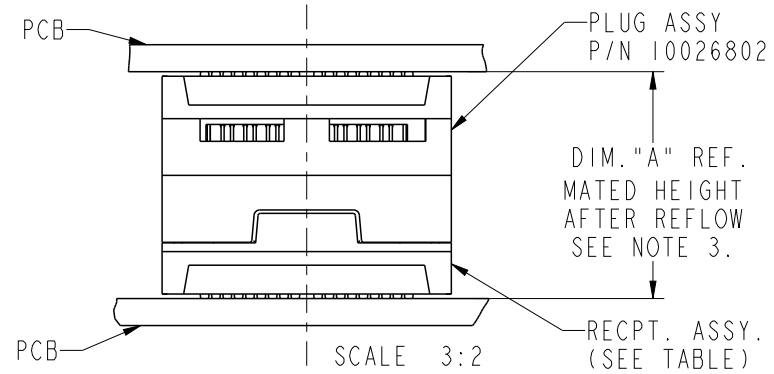
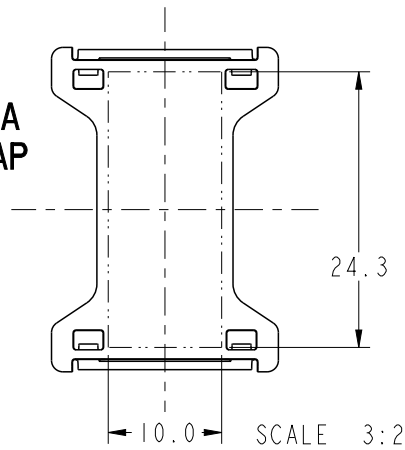


PLUG INTERFACE DESCRIPTION

spec ref		-		dr	Bill Lin	2010/02/02	projection 	mm 	size	A4	scale	1:1	
tolerance std	ASME Y14.5	TOLERANCES UNLESS OTHERWISE SPECIFIED				eng			Nickor Zuo	2011/05/26	ecn no	ELX-DG-003943-1	
						chr			Alex Cao	2011/06/24		product family	GIG-Array
surface	✓	linear	0.X	±0.30	 www.fci.com	title GIG-Array 12mm PLUG ASSY. 200 SIG. POS.	dwg no 10026802	rev D	-				
			0.XX	±0.10					cat. no.	Product - Customer Drw	sheet 3 of 5		
		angular	0°	±2°									

PrdE File - REV C - 2009-06-09

**FLAT AREA
PICK-UP CAP**



END VIEW OF MATED CONNECTORS

DIM. "A"	RECPT. ASSY. P/N
17	55740
22	10026010
27	55741



Copyright FCI.

spec ref		-		dr	Bill Lin	2010/02/02	projection 	mm 	size	A4	scale	1:1					
tolerance std	ASME Y14.5	TOLERANCES UNLESS OTHERWISE SPECIFIED				eng			Nickor Zuo	2011/05/26	ecn no	ELX-DG-003943-1					
						chr			Alex Cao	2011/06/24		product family	GIG-Array		rel level	Released	
surface	✓	linear	0.X	±0.30		title	GIG-Array		dwg no	10026802			rev				
			0.XX	±0.10								www.fci.com		cat. no.	Product - Customer Drw		sheet 4 of 5
			0.XXX	±0.05													
		angular	0°	±2°													

PRODUCT NUMBER	SOLDER BALL COMPOSITION	CONTACT PLATING PERFORMANCE LEVEL
10026802-001	STANDARD (EUTECTIC)	PERFORMANCE-BASED PLATING, QUALIFIED TO MEET THE REQUIREMENTS OF FCI PRODUCT SPECIFICATION GS-12-192, INCLUDING TELCORDIA CENTRAL OFFICE
10026802-001LF	LEADFREE	

NOTES:

- ① MAT'L:
HOUSING: LCP
CONTACT: COPPER ALLOY
PLATING (CONTACT): Au OVER Ni.
UL RATING: 94 V-0
- ② SOLDER BALLS WILL NOT BE PERFECT SPHERICAL SHAPE DUE TO REFLOW ATTACHMENT.
- ③ MATED HEIGHT EFFECTED BY CUSTOMERS' PCB PAD SIZE, PLATING, SOLDER REFLOW PROFILE & SOLDER PASTE.
- ④ CONTACTS IN ROWS A,C,E,G,J,K,M,P,R AND T ARE SINGLE BEAM CONTACTS, TYPICALLY USED AS GROUND PINS. (NOTE: CONTACTS IN ROWS J & K ARE TIED TOGETHER [COMMONED])
- ⑤ CONTACTS IN ROWS B,D,F,H,L,N,Q AND S ARE DUAL BEAM CONTACTS, TYPICALLY USED AS SIGNAL PINS.

NOTES CONTINUED

- ⑥ SPECIFIED POSITIONAL TOLERANCE DEFINES PAD TO PAD LOCATION WITHIN LAND PATTERN. POSITIONAL TOLERANCE OF LAND PATTERN TO FUDICIAL MARKS OR PCB DATUMS SHALL BE DEFINED BY CUSTOMER. FOR RECOMMENDED PRODUCT APPLICATION AND PCB DESIGN DETAILS, SEE DOC. NO. GS-20-016.
- ⑦ FOR PROPER APPLICATION FOLLOW FCI APPLICATION SPECIFICATION GS-20-033 LEADFREE SOLDER BALLS WILL NOT SOLDER PROPERLY IN A LEADED SOLDER PROCESS DUE TO A HIGHER REFLOW TEMPERATURE, LEADFREE PRODUCT IS THEREFORE NOT BACKWARDS COMPATIBLE WITH LEADED OR SOME SOLDERING APPLICATIONS. REFERENCE FCI APPLICATION SPECIFICATION.
- ⑧ THIS PRODUCT MEETS THE EUROPEAN UNION DIRECTIVES AND OTHER COUNTRY REGULATIONS AS DESCRIBED IN GS-22-008. PRODUCT MEETING WITH THES DIRECTIVE IS IDENTIFIED IN THE LOT CODE NUMBER MARKED ON EACH PART BY HAVING AN "X" IN THE SEVENTH CHARACTER POSITION.



Copyright FCI.

spec ref	-	dr	Bill Lin	2010/02/02	projection 	mm 	size	A4	scale	1:1	
tolerance std	TOLERANCES UNLESS OTHERWISE SPECIFIED	eng	Nickor Zuo	2011/05/26			ecn no	ELX-DG-003943-1			
ASME Y14.5		chr	Alex Cao	2011/06/24			product family	GIG-Array		rel level	Released
surface	linear	appr	Pei-Ming Zheng	2011/06/27	title	GIG-Array	12mm PLUG ASSY. 200 SIG. POS.	dwg no	10026802	rev	D
-		angular	0°	±2°							www.fci.com

Prod File - REV C - 2009-06-09