






## METRAL® POWER CONNECTORS STANDARD

-  Header, 4 row, straight, wide body
-  Header, 4 row, straight, narrow body
-  Receptacle, 4 row, right angle
-  Header, 5 row, straight, wide body
-  Receptacle, 5 row, right angle

## Header, 4 row power, straight, solder to board, wide body

### FEATURES

- In accordance with IEC 60917 and IEC 61076-4-104 (Futurebus+)
- 4 x 2 power blades contacts
- 12 mm power modules are form- and fit interchangeable with signal modules on same footprint

### TECHNICAL DATA

#### PHYSICAL

- spacing: 2,00 mm x 2,00 mm
- housing: glass-filled LCP (30% glass), colour natural
- flammability rating: UL 94 V-0
- contact material: phosphor bronze
- performance level: Telcordia CO

#### ELECTRICAL

- current rating: 3 A
- insulation resistance:  $5 \times 10^3 \text{ M}\Omega$  initially,  $1 \times 10^3 \text{ M}\Omega$  after tests
- withstanding voltage: 1000 V rms (sea level)

#### MECHANICAL PERFORMANCE

- insertion force: 1,50 N max. per individual power contact (mating)
- withdrawal force: 0,30 N max. per individual power contact (unmating)
- recommended hole diameter: 0,65-0,80 mm

#### ENVIRONMENTAL

- Operating temperature  $-55^\circ\text{C}$  to  $+125^\circ\text{C}$
- RoHs information, this product is compatible according to the European Union Directive 2002/95/IEC

#### PACKAGING

- Standard Tubes

#### PROCESSING INFORMATION

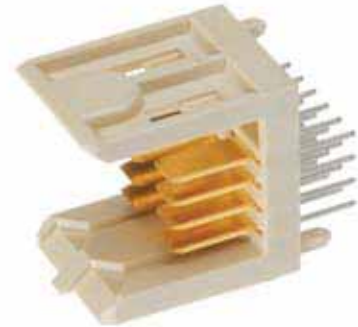
- Applicable process: wave, IR, vapor phase

#### REFERENCE DATA

- Product Specification GS-12-180
- Application Specification BUS-20-075

#### APPLICATION EQUIPMENT

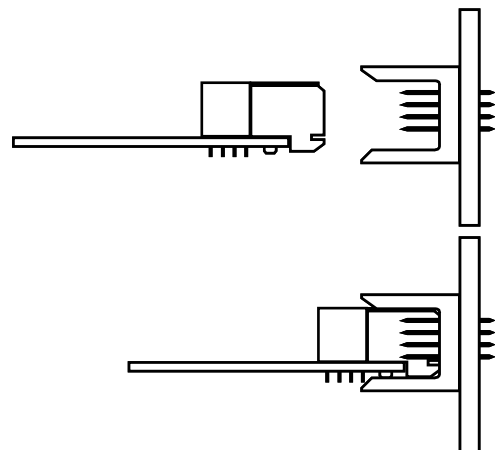
- for application equipment, check out the application equipment table on page 217-223



### MATING DATA

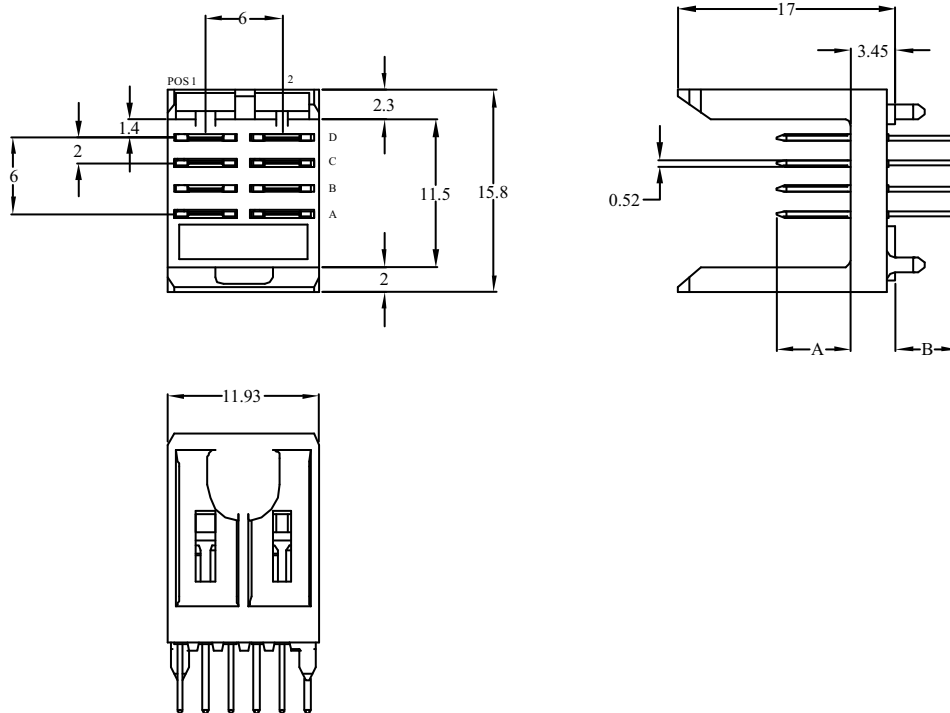
- Receptacle, right angle, press-fit, page 101
  - part number 88949-102LF
- Receptacle, right angle, solder-to-board, page 99
  - part number 89039-101LF
- Receptacle, right angle, Pin-in-Paste, page 103
  - part number 72651-101LF

### TYPICAL APPLICATIONS



# Header, 4 row power, straight, solder to board, wide body

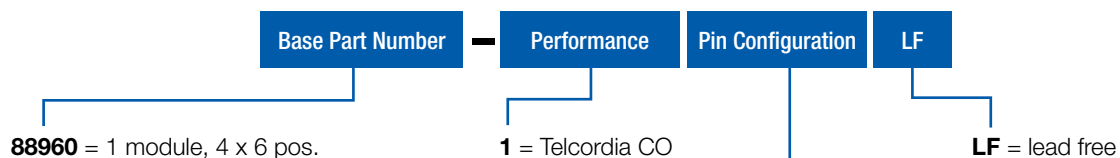
## PRODUCT



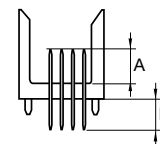
PCB pattern P5, see chapter PCB layouts

## PARTNUMBERS

88960 - 101LF



yy	mating length (A)	tail length (B)
01	6,50 mm	4,25 mm



**Note:** for other special patterns or loadings, please check drawings, all other configurations on request only

## Header, 4 row power, straight, press-fit, wide body

### FEATURES

- In accordance with IEC 60917 and IEC 61076-4-104 (Futurebus+)
- 4 x 2 power blades contacts
- 12 mm power modules are form- and fit interchangeable with signal modules on same footprint
- Eye the needle press-fit contac

### TECHNICAL DATA

#### PHYSICAL

- spacing: 2,00 mm x 2,00 mm
- housing: glass-filled LCP (30% glass), colour natural
- flammability rating: UL 94 V-0
- contact material: phosphor bronze
- performance level: Telcordia CO

#### ELECTRICAL

- current rating: 3 A
- insulation resistance:  $5 \times 10^3 \text{ M}\Omega$  initially,  $1 \times 10^3 \text{ M}\Omega$  after tests
- withstanding voltage: 1000 V rms (sea level)

#### MECHANICAL PERFORMANCE

- insertion force: 1,50 N max. per individual power contact (mating)
- withdrawal force: 0,30 N max. per individual power contact (unmating)
- press-fit contact insertion: 65 N max. per pin
- press-fit pin withdrawal: 15 N min. per pin
- recommended hole diameter: 0,65-0,80 mm

#### ENVIRONMENTAL

- Operating temperature -55°C to + 125°C
- RoHs information, this product is compatible according to the European Union Directive 2002/95/IEC

#### PACKAGING

- Standard Tubes

#### PROCESSING INFORMATION

- Applicable process: press fit

#### REFERENCE DATA

- Product Specification GS-12-180
- Application Specification BUS-20-075

#### APPLICATION EQUIPMENT

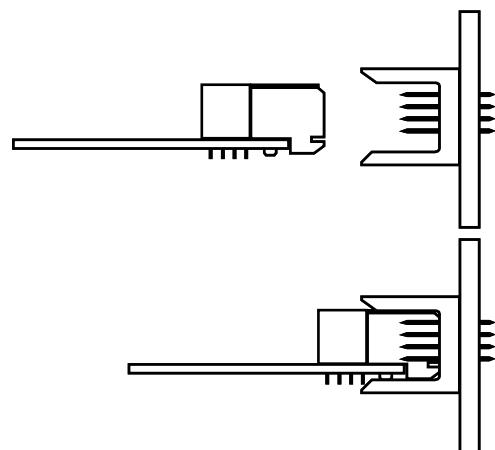
- for application equipment, check out the application equipment table on page 217-223



### MATING DATA

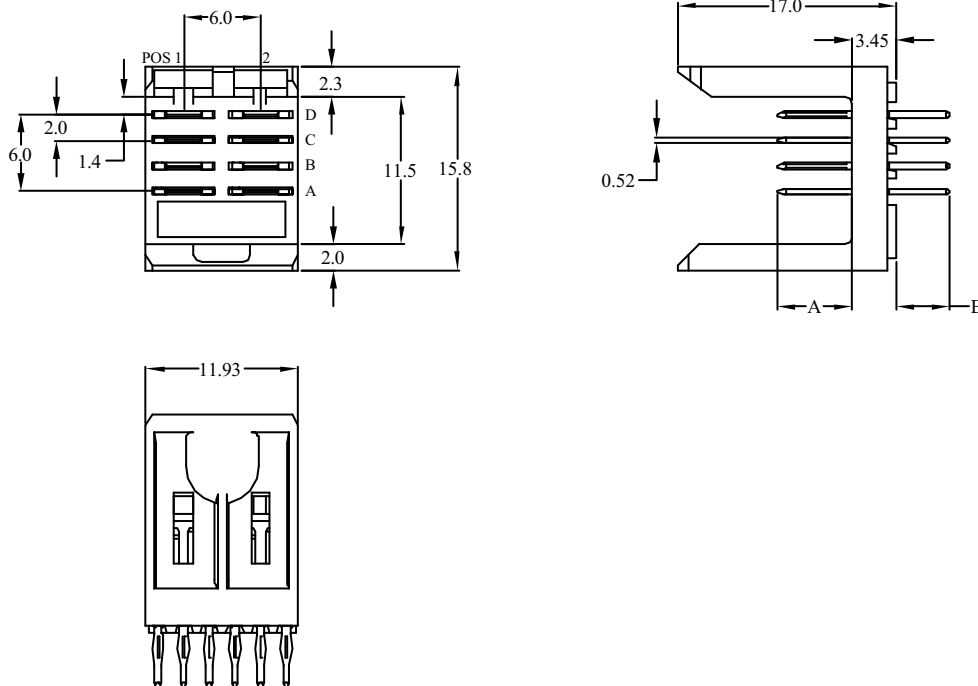
- Receptacle, right angle, press-fit, page 101
  - part number 88949-102LF
- Receptacle, right angle, solder-to-board, page 99
  - part number 89039-101LF
- Receptacle, right angle, Pin-in-Paste, page 103
  - part number 72651-101LF

### TYPICAL APPLICATIONS



# Header, 4 row power, straight, press-fit, wide body

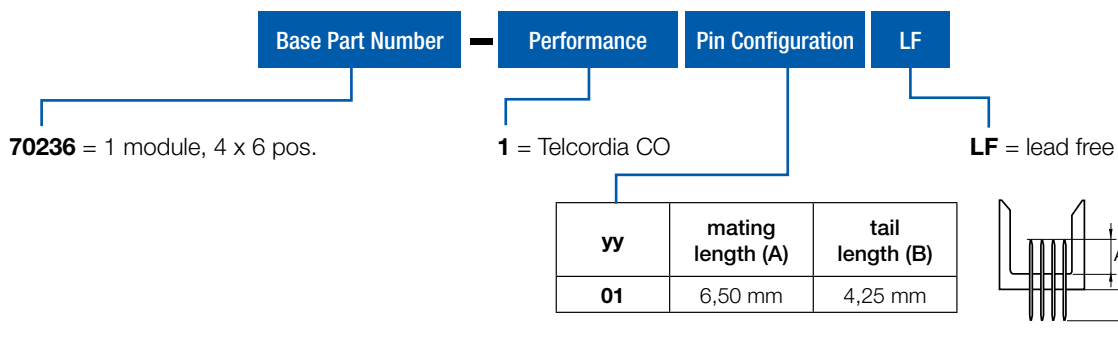
## PRODUCT



PCB pattern P6, see chapter PCB layouts

## PARTNUMBERS

**70236 - 101LF**



**Note:** for other special patterns or loadings, please check drawings, all other configurations on request only

## Header, 4 row, power, straight, solder to board, narrow body

### FEATURES

- In accordance with IEC 60917 and IEC 61076-4-104 (Futurebus+)
- 4 row 2 power blades contacts
- Narrow body housing
- 12 mm power modules are form- and fit interchangeable with signal modules on same footprint

### TECHNICAL DATA

#### PHYSICAL

- spacing: 2,00 mm x 2,00 mm
- housing: glass-filled LCP (30% glass), colour natural
- flammability rating: UL 94 V-0
- contact material: phosphor bronze
- performance level: Telcordia CO

#### ELECTRICAL

- current rating: 3 A
- insulation resistance:  $5 \times 10^3 \text{ M}\Omega$  initially,  $1 \times 10^3 \text{ M}\Omega$  after tests
- withstanding voltage: 1000 V rms (sea level)

#### MECHANICAL PERFORMANCE

- insertion force: 1,50 N max. per individual power contact (mating)
- withdrawal force: 0,30 N max. per individual power contact (unmating)
- recommended hole diameter: 0,65-0,80 mm

#### ENVIRONMENTAL

- Operating temperature  $-55^\circ\text{C}$  to  $+125^\circ\text{C}$
- RoHs information, this product is compatible according to the European Union Directive 2002/95/IEC

#### PACKAGING

- Standard Tubes

#### PROCESSING INFORMATION

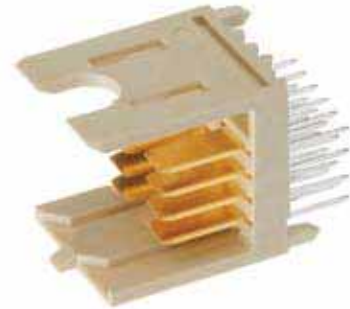
- Applicable process: wave, IR, vapor phase

#### REFERENCE DATA

- Product Specification GS-12-180
- Application Specification BUS-20-075

#### APPLICATION EQUIPMENT

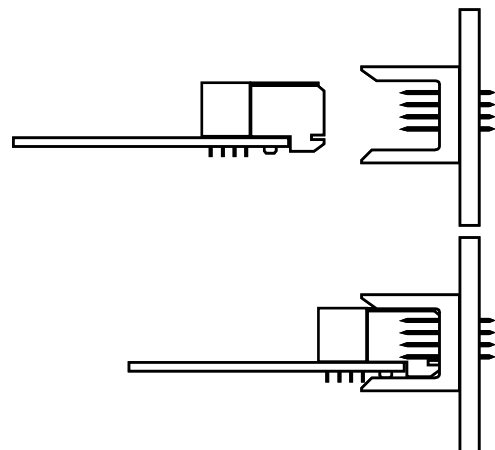
- for application equipment, check out the application equipment table on page 217-223



### MATING DATA

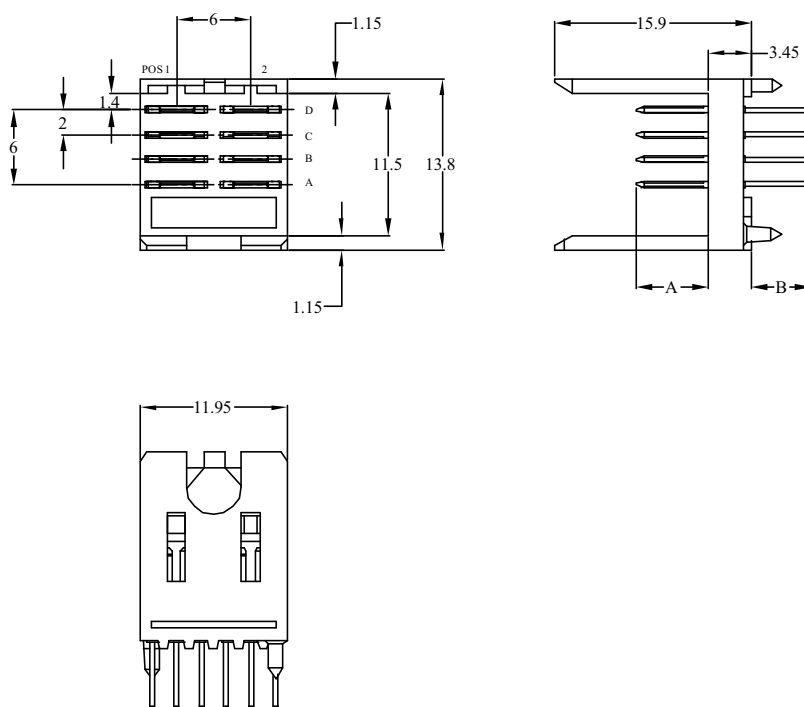
- Receptacle, right angle, press-fit, page 101
  - part number 88949-102LF
- Receptacle, right angle, solder-to-board, page 99
  - part number 89039-101LF
- Receptacle, right angle, Pin-in-Paste, page 103
  - part number 72651-101LF

### TYPICAL APPLICATIONS



# Header, 4 row, power, straight, solder to board, narrow body

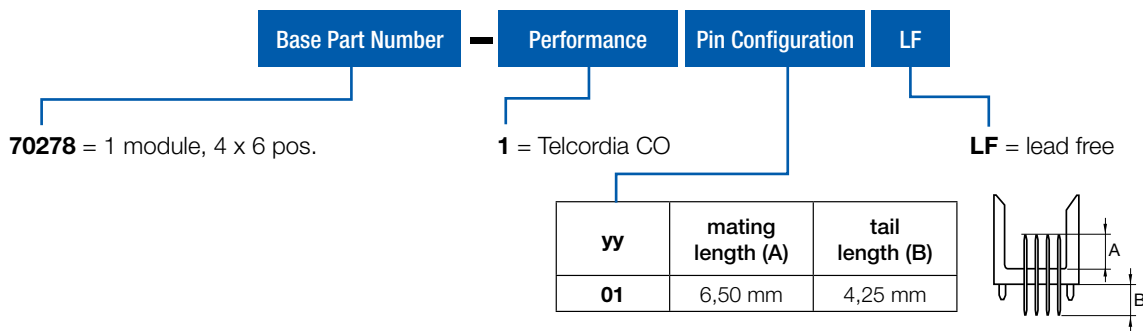
## PRODUCT



PCB pattern P3, see chapter PCB layouts

## PARTNUMBERS

70278 - 101LF



**Note:** for other special patterns or loadings, please check drawings, all other configurations on request only

## Header, 4 row, power, straight, press-fit, narrow body

## FEATURES

- In accordance with IEC 60917 and IEC 61076-4-104 (Futurebus+)
- 4 x 2 power blades contacts
- Narrow body housing
- 12 mm power modules are form- and fit interchangeable with signal modules on same footprint
- Eye the needle press-fit contact

## TECHNICAL DATA

## PHYSICAL

- spacing: 2,00 mm x 2,00 mm
- housing: glass-filled LCP (30% glass), colour natural
- flammability rating: UL 94 V-0
- contact material: phosphor bronze
- performance level: Telcordia CO

## ELECTRICAL

- current rating: 3 A
- insulation resistance:  $5 \times 10^3$  M $\Omega$  initially,  $1 \times 10^3$  M $\Omega$  after tests
- withstanding voltage: 1000 V rms (sea level)

## MECHANICAL PERFORMANCE

- insertion force: 1,50 N max. per individual power contact (mating)
- withdrawal force: 0,30 N max. per individual power contact (unmating)
- press-fit contact insertion: 65 N max. per pin
- press-fit pin withdrawal: 15 N min. per pin
- recommended hole diameter: 0,65-0,80 mm

## ENVIRONMENTAL

- Operating temperature -55°C to + 125°C
- RoHs information, this product is compatible according to the European Union Directive 2002/95/IEC

## PACKAGING

- Standard Tubes

## PROCESSING INFORMATION

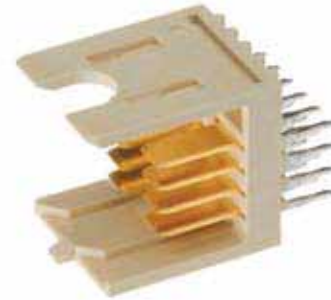
- Applicable process: press fit

## REFERENCE DATA

- Product Specification GS-12-180
- Application Specification BUS-20-075

## APPLICATION EQUIPMENT

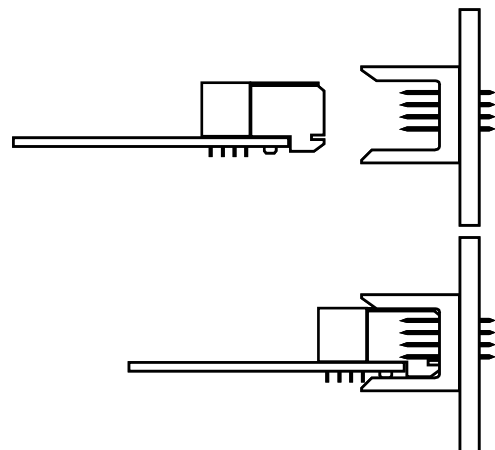
- for application equipment, check out the application equipment table on page 217-223



## MATING DATA

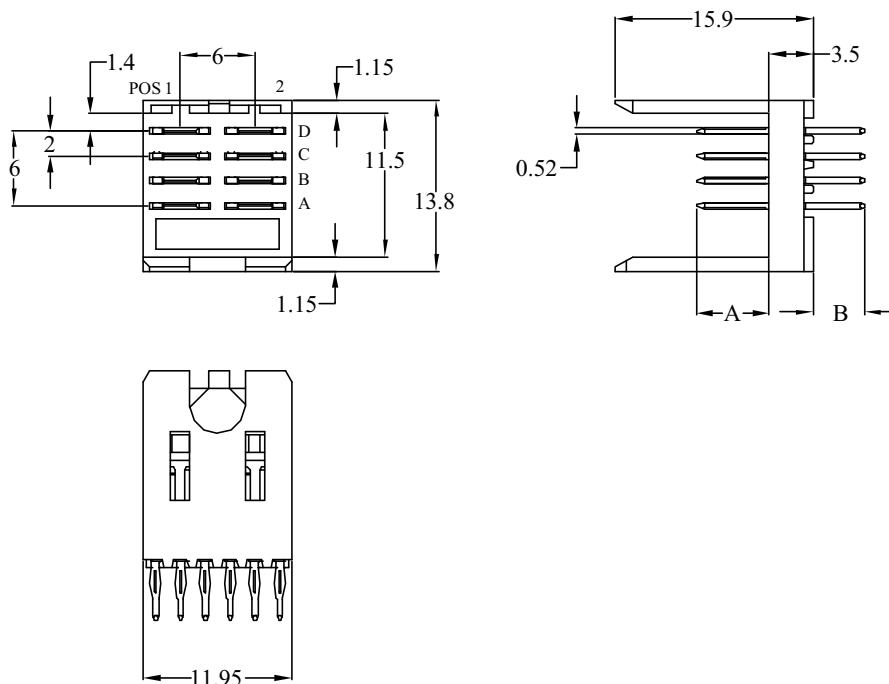
- Receptacle, right angle, press-fit, page 101
  - part number 88949-102LF
- Receptacle, right angle, solder-to-board, page 99
  - part number 89039-101LF
- Receptacle, right angle, Pin-in-Paste, page 103
  - part number 72651-101LF

## TYPICAL APPLICATIONS



# Header, 4 row, power, straight, press-fit, narrow body

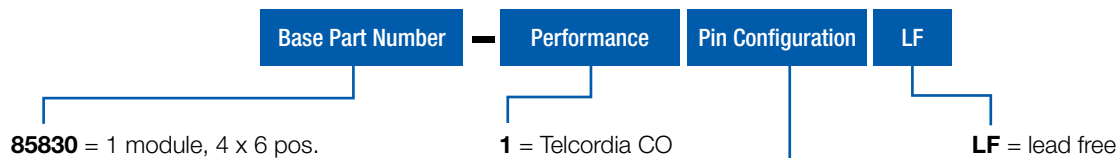
## PRODUCT



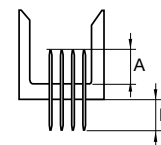
PCB pattern P4, see chapter PCB layouts

## PARTNUMBERS

85830 - 101LF



yy	mating length (A)	tail length (B)
01	6,50 mm	4,30 mm



**Note:** for other special patterns or loadings, please check drawings, all other configurations on request only

## Receptacle, 4 row, power, right angle, solder to board

### FEATURES

- In accordance with IEC 60917 and IEC 61076-4-104 (Futurebus+)
- 4 x 2 dual beam power blades contacts
- 12 mm power modules are form- and fit interchangeable with signal modules on same footprint
- Modular design guarantees flexibility
- Stackable end-to-end without loss of position
- Stackable with other METRAL® function modules (power, I/O)

### TECHNICAL DATA

#### PHYSICAL

- spacing: 2,00 mm x 2,00 mm
- housing: glass-filled LCP (30% glass), colour natural
- flammability rating: UL 94 V-0
- contact material: phosphor bronze
- performance level: Telcordia CO

#### ELECTRICAL

- current rating: 3 A
- insulation resistance:  $5 \times 10^3 \text{ M}\Omega$  initially,  $1 \times 10^3 \text{ M}\Omega$  after tests
- withstanding voltage: 1000 V rms (sea level)

#### MECHANICAL PERFORMANCE

- insertion force: 1,50 N max. per individual power contact (mating)
- withdrawal force: 0,30 N max. per individual power contact (unmating)
- recommended hole diameter: 0,65-0,80 mm

#### ENVIRONMENTAL

- Operating temperature -55°C to + 125°C
- RoHs information, this product is compatible according to the European Union Directive 2002/95/IEC

#### PACKAGING

- Standard Tubes

#### PROCESSING INFORMATION

- Applicable process: wave, IR, vapor phase

#### REFERENCE DATA

- Product Specification GS-12-453

#### APPLICATION EQUIPMENT

- for application equipment, check out the application equipment table on page 217-223



### MATING DATA

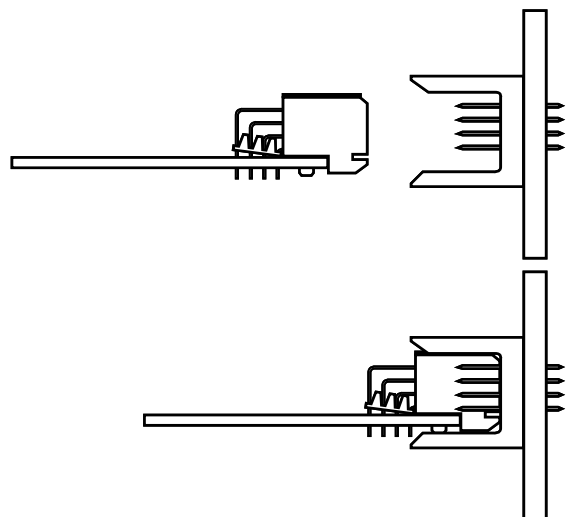
#### Header, straight, press-fit, page 93

- 1 module – part number 70236-101LF

#### Header, straight, solder-to-board, page 91

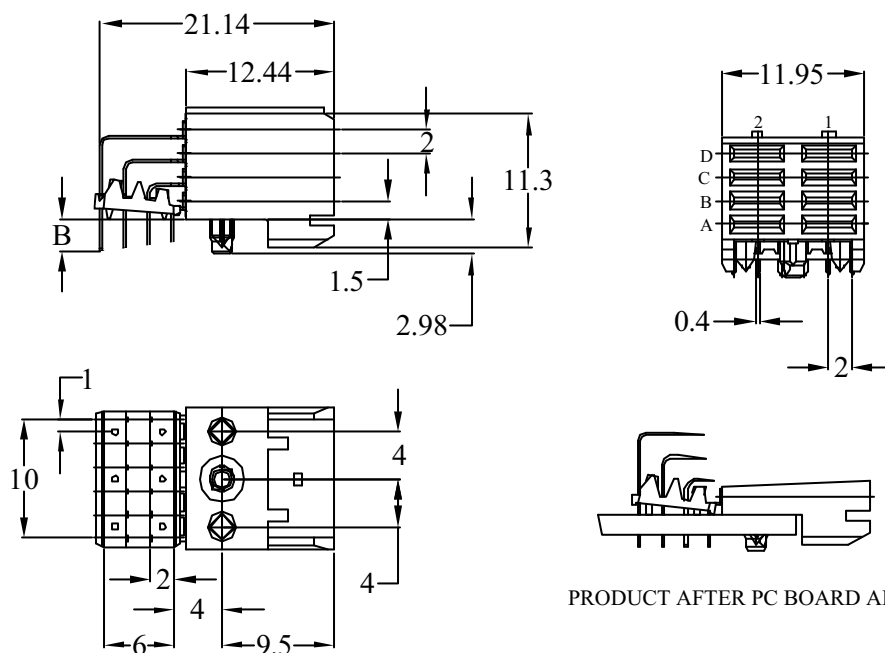
- 1 module – part number 88960-101LF

### TYPICAL APPLICATIONS



# Receptacle, 4 row, power, right angle, solder to board

## PRODUCT

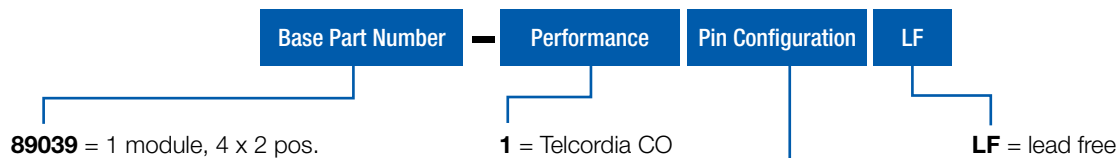


PRODUCT AFTER PC BOARD APPLICATION.

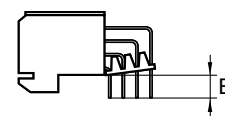
PCB pattern P1, see chapter PCB layouts

## PARTNUMBERS

89039 - 1yyLF



yy	Tail length (B)	PCB Thickness
02	2,73 mm	1,60 mm
11	3,53 mm	2,40 mm



**Note:** for other special patterns or loadings, please check drawings, all other configurations on request only

## Receptacle, 4 row, power, right angle, press-fit

### FEATURES

- In accordance with IEC 60917 and IEC 61076-4-104 (Futurebus+)
- 4 x 2 dual beam power blades contacts
- 12 mm power modules are form- and fit interchangeable with signal modules on same footprint
- Modular design guarantees flexibility
- Stackable end-to-end without loss of position
- Stackable with other METRAL® function modules (power, I/O)
- Press block ensures accurate position of press-fit tails for easy mounting
- Eye the needle press-fit contact



### TECHNICAL DATA

#### PHYSICAL

- spacing: 2,00 mm x 2,00 mm
- housing: glass-filled LCP (30% glass), colour natural
- flammability rating: UL 94 V-0
- contact material: phosphor bronze
- performance level: Telcordia CO

#### ELECTRICAL

- current rating: 3 A
- insulation resistance:  $5 \times 10^3 \text{ M}\Omega$  initially,  $1 \times 10^3 \text{ M}\Omega$  after tests
- withstanding voltage: 1000 V rms (sea level)

#### MECHANICAL PERFORMANCE

- insertion force: 1,50 N max. per individual power contact (mating)
- withdrawal force: 0,30 N max. per individual power contact (unmating)
- press-fit contact insertion: 55 N max. per pin
- press-fit pin withdrawal: 15 N min. per pin
- recommended hole diameter: 0,65-0,80 mm

#### ENVIRONMENTAL

- Operating temperature  $-55^\circ\text{C}$  to  $+125^\circ\text{C}$
- RoHs information, this product is compatible according to the European Union Directive 2002/95/IEC

#### PACKAGING

- Standard Tubes

#### PROCESSING INFORMATION

- Applicable process: press fit

#### REFERENCE DATA

- Press-peg application, TA-0941
- Product Specification GS-12-453

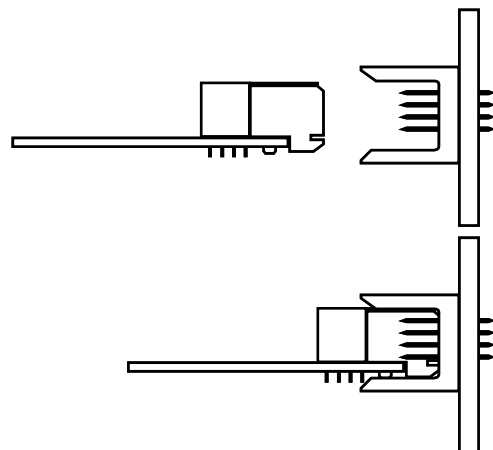
#### APPLICATION EQUIPMENT

- for application equipment, check out the application equipment table on page 217-223

### MATING DATA

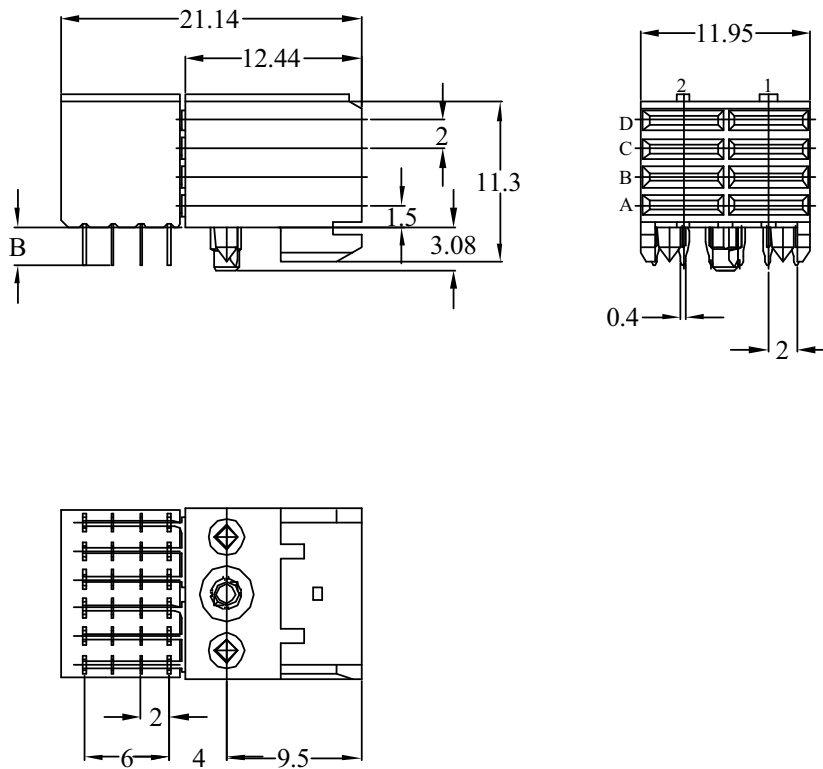
- Header, straight, press-fit, page 93
  - 1 module – part number 70236-101LF
- Header, straight, solder-to-board, page 91
  - 1 module – part number 88960-101LF

### TYPICAL APPLICATIONS



# Receptacle, 4 row, power, right angle, press-fit

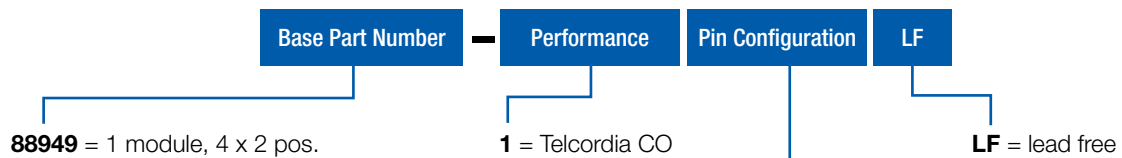
## PRODUCT



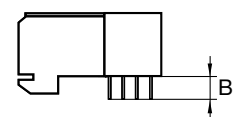
PCB pattern P1, see chapter PCB layouts

## PARTNUMBERS

88949 - 1yyLF



yy	Tail length (B)	PCB Thickness
<b>02</b>	2,73 mm	1,60 mm
12	3,53 mm	2,40 mm



**Note:** blue marked in **tail length** is the preferred recommended standard for other special patterns or loadings, please check drawings, all other configurations on request only

## Receptacle, 4 row, power, right angle, pin-in-paste

### FEATURES

- In accordance with IEC 60917 and IEC 61076-4-104 (Futurebus+)
- 4 x 2 dual beam power blades contacts
- 12 mm power modules are form- and fit interchangeable with signal modules on same footprint
- Modular design guarantees flexibility
- Stackable end-to-end without loss of position
- Stackable with other METRAL® function modules (power, I/O)

### TECHNICAL DATA

#### PHYSICAL

- spacing: 2,00 mm x 2,00 mm
- housing: glass-filled LCP (30% glass), colour natural
- flammability rating: UL 94 V-0
- contact material: phosphor bronze
- performance level: Telcordia CO

#### ELECTRICAL

- current rating: 3 A
- insulation resistance:  $5 \times 10^3 \text{ M}\Omega$  initially,  $1 \times 10^3 \text{ M}\Omega$  after tests
- withstanding voltage: 1000 V rms (sea level)

#### MECHANICAL PERFORMANCE

- insertion force: 1,50 N max. per individual power contact (mating)
- withdrawal force: 0,30 N max. per individual power contact (unmating)
- recommended hole diameter: 0,65-0,80 mm

#### ENVIRONMENTAL

- Operating temperature -55°C to + 125°C
- RoHs information, this product is compatible according to the European Union Directive 2002/95/IEC

#### PACKAGING

- Standard Tubes

#### PROCESSING INFORMATION

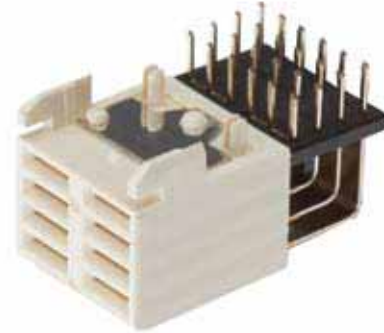
- automatic Surface-mount reflow process, resistance for Lead Free reflow temperature

#### REFERENCE DATA

- Packaging specification GS-14-920
- Product Specification GS-12-453

#### APPLICATION EQUIPMENT

- for application equipment, check out the application equipment table on page 217-223



### MATING DATA

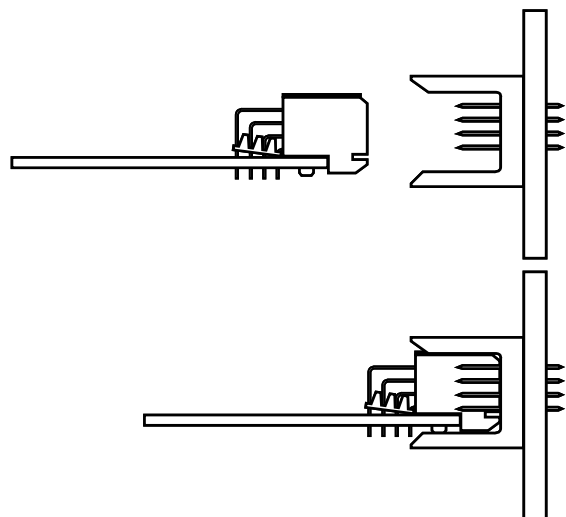
#### Header, straight, press-fit, page 93

- 1 module – part number 70236-101LF

#### Header, straight, solder-to-board, page 91

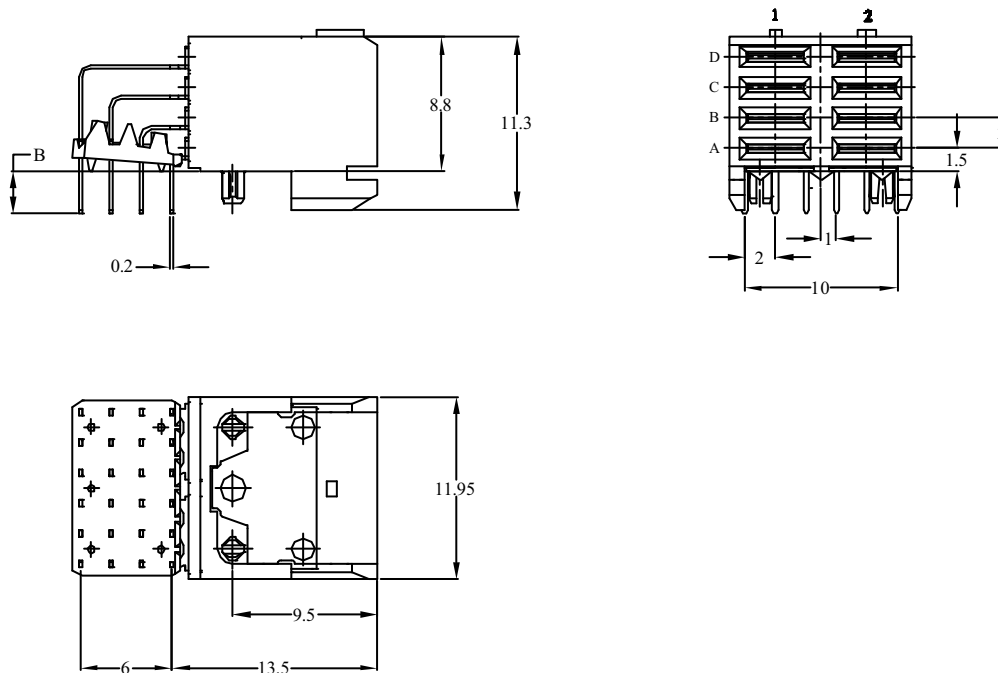
- 1 module – part number 88960-101LF

### TYPICAL APPLICATIONS



# Receptacle, 4 row, power, right angle, pin-in-paste

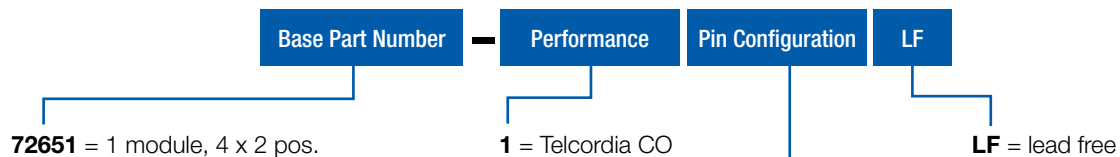
## PRODUCT



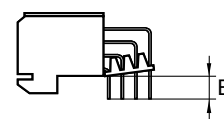
PCB pattern P1, see chapter PCB layouts

## PARTNUMBERS

72651 - 1yyLF



yy	Tail length (B)	PCB Thickness
02	2,73 mm	1,60 mm
11	3,53 mm	2,40 mm



**Note:** blue marked in **tail length** is the preferred recommended standard for other special patterns or loadings, please check drawings, all other configurations on request only

## Header, 5 row, power, straight, solder to board, wide body

### FEATURES

- In accordance with IEC 60917 and IEC 61076-4-104 (Futurebus+)
- 5 x 2 power blades contacts
- 12 mm power modules are form- and fit interchangeable with signal modules on same footprint

### TECHNICAL DATA

#### PHYSICAL

- spacing: 2,00 mm x 2,00 mm
- housing: glass-filled LCP (30% glass), colour natural
- flammability rating: UL 94 V-0
- contact material: phosphor bronze
- performance level: Telcordia CO

#### ELECTRICAL

- current rating: 3 A
- insulation resistance:  $5 \times 10^3 \text{ M}\Omega$  initially,  $1 \times 10^3 \text{ M}\Omega$  after tests
- withstanding voltage: 1000 V rms (sea level)

#### MECHANICAL PERFORMANCE

- insertion force: 1,50 N max. per individual power contact (mating)
- withdrawal force: 0,30 N max. per individual power contact (unmating)
- recommended hole diameter: 0,65-0,80 mm

#### ENVIRONMENTAL

- Operating temperature -55°C to + 125°C
- RoHs information, this product is compatible according to the European Union Directive 2002/95/IEC

#### PACKAGING

- Standard Tubes

#### PROCESSING INFORMATION

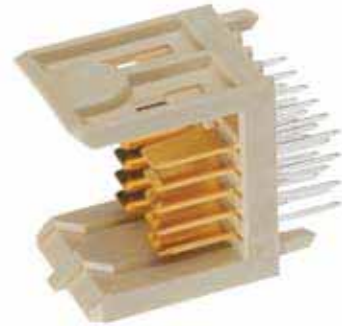
- Applicable process: wave, IR, vapor phase

#### REFERENCE DATA

- Product Specification GS-12-180
- Application Specification BUS-20-075

#### APPLICATION EQUIPMENT

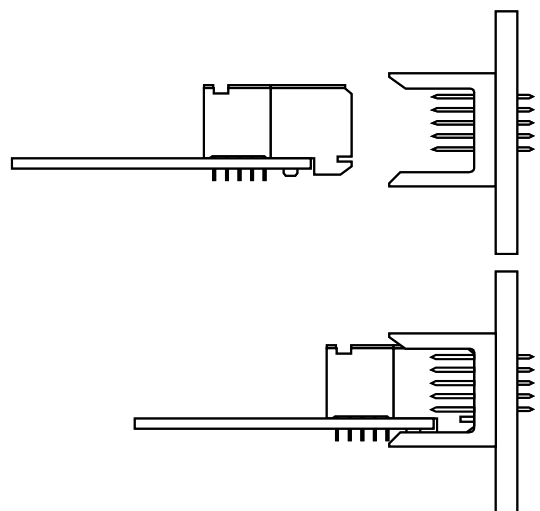
- for application equipment, check out the application equipment table on page 217-223



### MATING DATA

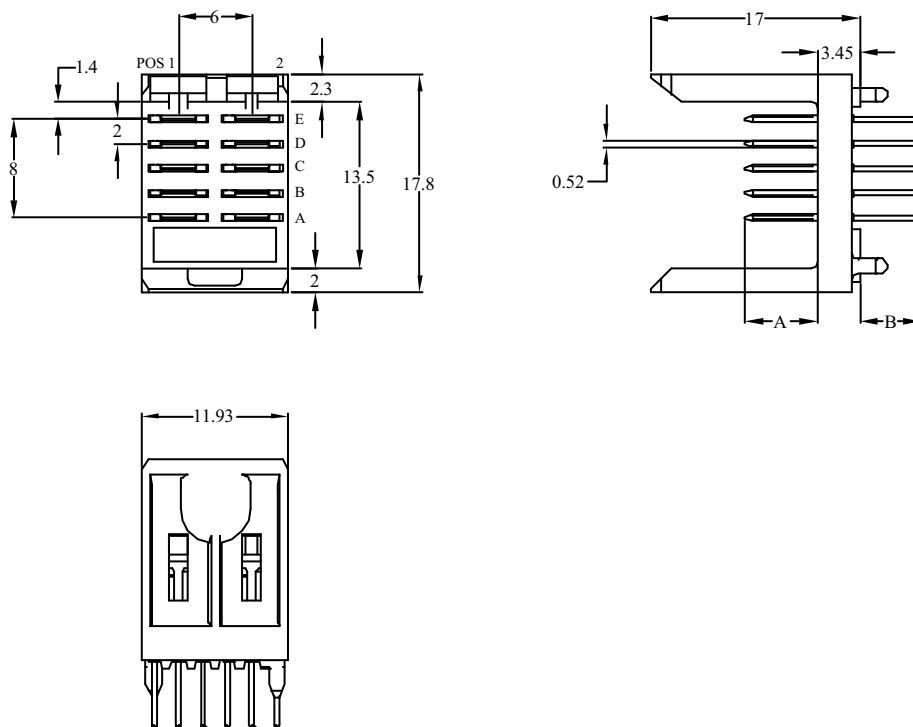
- Receptacle, right angle, press-fit, page 109
  - part number 85876-1yyLF
- Receptacle, right angle, solder-to-board, page 111
  - part number 89096-1yyLF
- Receptacle, right angle, Pin-in-Paste, page 113
  - part number 63793-101LF

### TYPICAL APPLICATIONS



# Header, 5 row, power, straight, solder to board, wide body

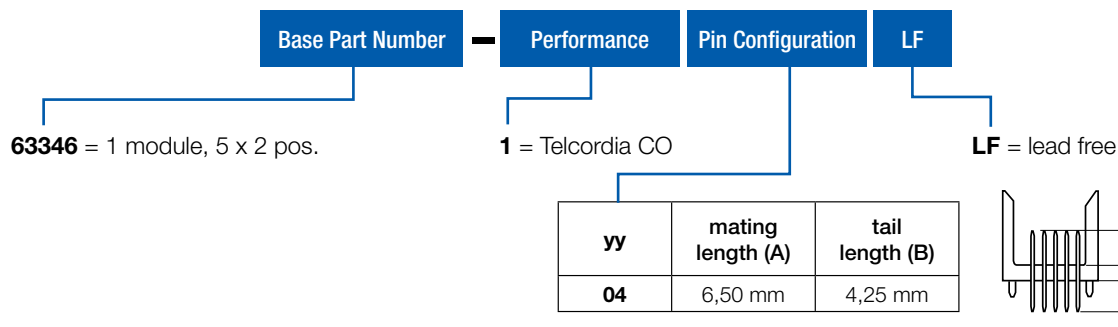
## PRODUCT



PCB pattern P16, see chapter PCB layouts

## PARTNUMBERS

63346 - 104LF



**Note:** for other special patterns or loadings, please check drawings, all other configurations on request only

## Header, 5 row, power, straight, press-fit, wide body

### FEATURES

- In accordance with IEC 60917 and IEC 61076-4-104 (Futurebus+)
- 5 x 2 power blades contacts
- 12 mm power modules are form- and fit interchangeable with signal modules on same footprint
- Eye the needle press-fit contac

### TECHNICAL DATA

#### PHYSICAL

- spacing: 2,00 mm x 2,00 mm
- housing: glass-filled LCP (30% glass), colour natural
- flammability rating: UL 94 V-0
- contact material: phosphor bronze
- performance level: Telcordia CO

#### ELECTRICAL

- current rating: 3 A
- insulation resistance:  $5 \times 10^3 \text{ M}\Omega$  initially,  $1 \times 10^3 \text{ M}\Omega$  after tests
- withstanding voltage: 1000 V rms (sea level)

#### MECHANICAL PERFORMANCE

- insertion force: 1,50 N max. per individual power contact (mating)
- withdrawal force: 0,30 N max. per individual power contact (unmating)
- press-fit contact insertion: 65 N max. per pin
- press-fit pin withdrawal: 15 N min. per pin
- recommended hole diameter: 0,65-0,80 mm

#### ENVIRONMENTAL

- Operating temperature -55°C to + 125°C
- RoHs information, this product is compatible according to the European Union Directive 2002/95/IEC

#### PACKAGING

- Standard Tubes

#### PROCESSING INFORMATION

- Applicable process: press fit

#### REFERENCE DATA

- Product Specification GS-12-180
- Application Specification BUS-20-075

#### APPLICATION EQUIPMENT

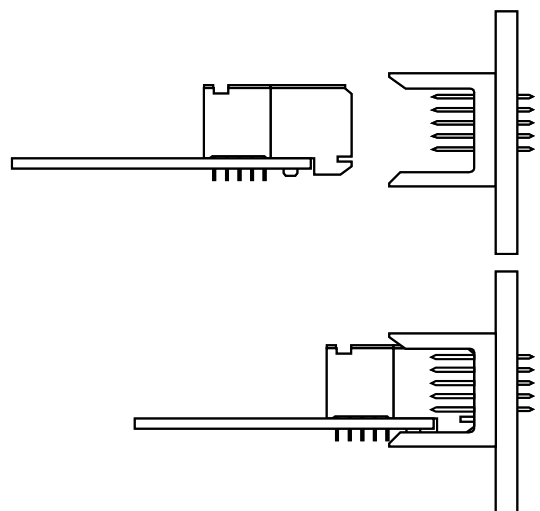
- for application equipment, check out the application equipment table on page 217-223



### MATING DATA

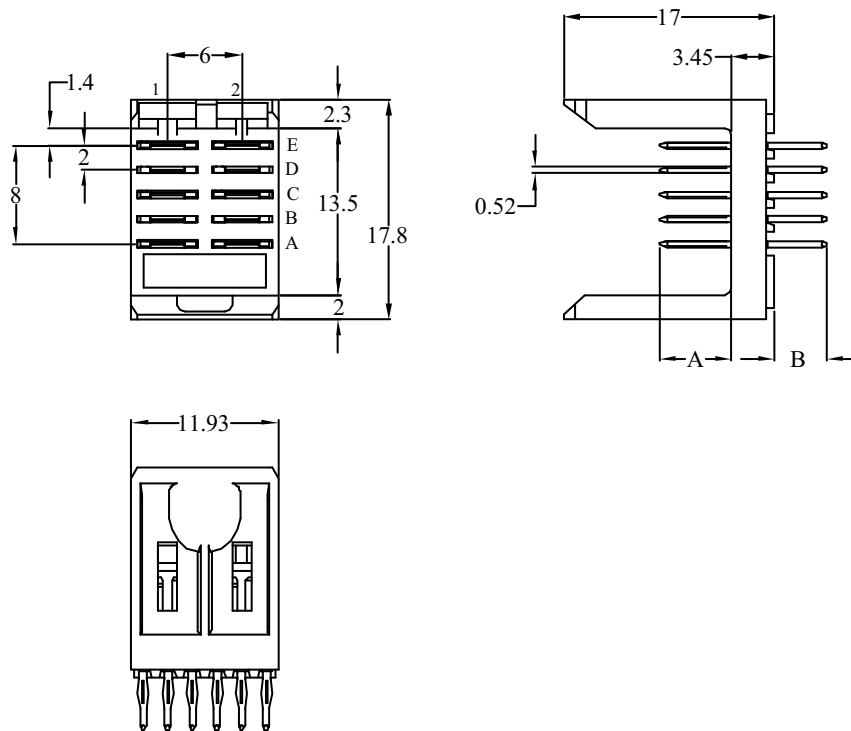
- Receptacle, right angle, press-fit, page 109
  - part number 85876-1yyLF
- Receptacle, right angle, solder-to-board, page 111
  - part number 89096-1yyLF
- Receptacle, right angle, Pin-in-Paste, page 113
  - part number 63793-101LF

### TYPICAL APPLICATIONS



# Header, 5 row, power, straight, press-fit, wide body

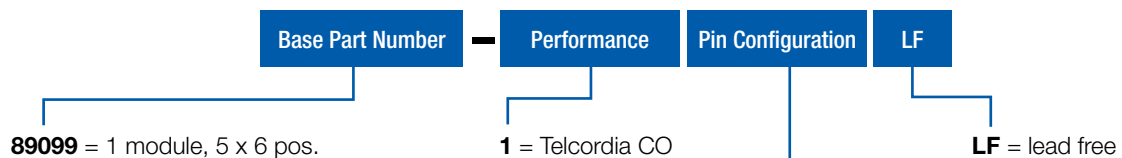
## PRODUCT



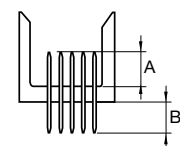
PCB pattern P7, see chapter PCB layouts

## PARTNUMBERS

89099 - 111LF



yy	mating length (A)	tail length (B)
11	6,50 mm	4,30 mm



**Note:** for other special patterns or loadings, please check drawings, all other configurations on request only

## Receptacle, 5 row, power, right angle, solder to board

### FEATURES

- In accordance with IEC 60917 and IEC 61076-4-104 (Futurebus+)
- 5 x 2 dual beam power blades contacts
- 12 mm power modules are form- and fit interchangeable with signal modules on same footprint
- Modular design guarantees flexibility
- Stackable end-to-end without loss of position
- Stackable with other METRAL® function modules (power, I/O)

### TECHNICAL DATA

#### PHYSICAL

- spacing: 2,00 mm x 2,00 mm
- housing: glass-filled LCP (30% glass), colour natural
- flammability rating: UL 94 V-0
- contact material: phosphor bronze
- performance level: Telcordia CO

#### ELECTRICAL

- current rating: 3 A
- insulation resistance:  $5 \times 10^3 \text{ M}\Omega$  initially,  $1 \times 10^3 \text{ M}\Omega$  after tests
- withstanding voltage: 1000 V rms (sea level)

#### MECHANICAL PERFORMANCE

- insertion force: 1,50 N max. per individual power contact (mating)
- withdrawal force: 0,30 N max. per individual power contact (unmating)
- press-fit contact insertion: 55 N max. per pin
- press-fit pin withdrawal: 15 N min. per pin
- recommended hole diameter: 0,65-0,80 mm

#### ENVIRONMENTAL

- Operating temperature -55°C to + 125°C
- RoHs information, this product is compatible according to the European Union Directive 2002/95/IEC

#### PACKAGING

- Standard Tubes

#### PROCESSING INFORMATION

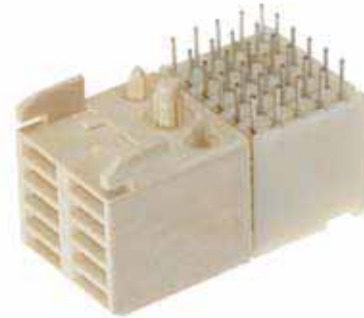
- Applicable process: wave, IR, vapor phase

#### REFERENCE DATA

- Product Specification GS-12-453

#### APPLICATION EQUIPMENT

- for application equipment, check out the application equipment table on page 217-223



### MATING DATA

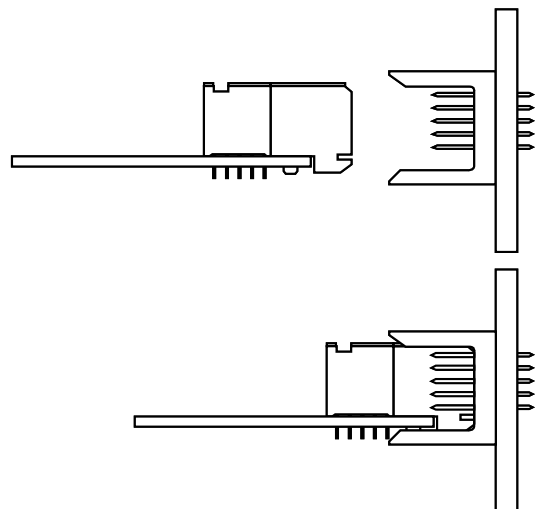
#### Header, straight, press-fit, page 107

- 1 module – part number 89099-111LF

#### Header, straight, solder-to-board, page 105

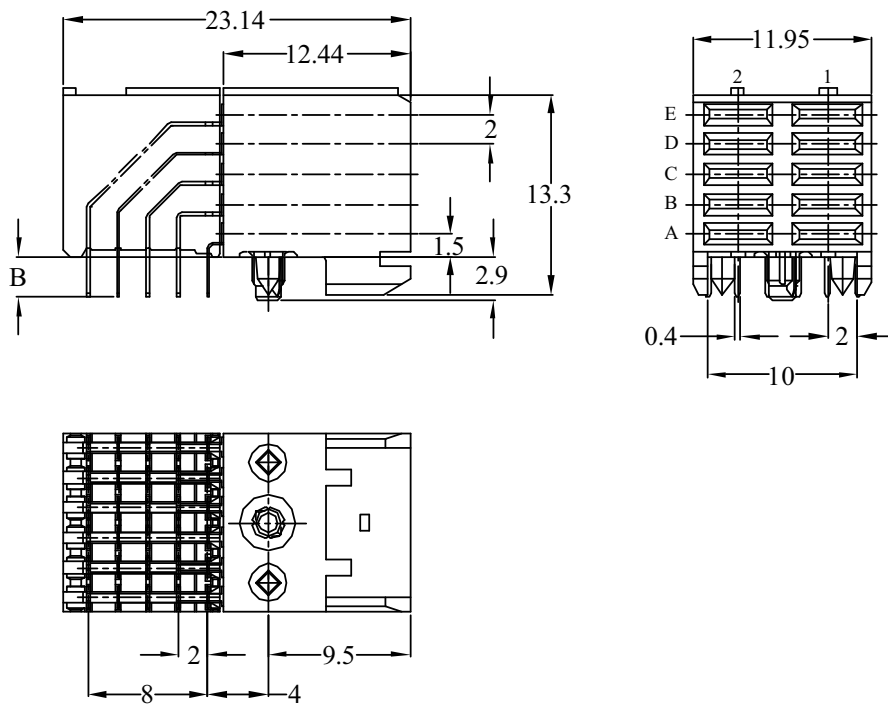
- 1 module – part number 63346-104LF

### TYPICAL APPLICATIONS



# Receptacle, 5 row, power, right angle, solder to board

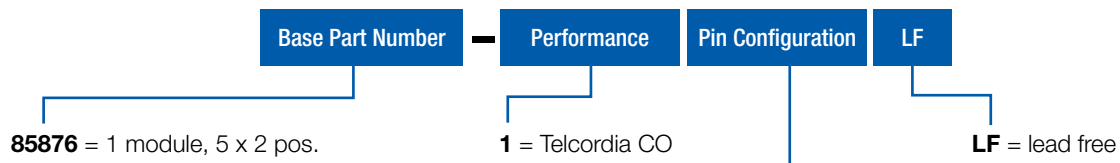
## PRODUCT



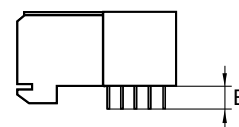
PCB pattern P2, see chapter PCB layouts

## PARTNUMBERS

85876 - 1yyLF



yy	Tail length (B)	PCB Thickness
02	2,73 mm	1,60 mm
12	3,53	2,40



**Note:** blue marked in **tail length** is the preferred recommended standard for other special patterns or loadings, please check drawings, all other configurations on request only

## Receptacle, 5 row, power, right angle, press-fit

### FEATURES

- In accordance with IEC 60917 and IEC 61076-4-104 (Futurebus+)
- 5 x 2 dual beam power blades contacts
- 12 mm power modules are form- and fit interchangeable with signal modules on same footprint
- Modular design guarantees flexibility
- Stackable end-to-end without loss of position
- Stackable with other METRAL® function modules (power, I/O)
- Press block ensures accurate position of press-fit tails for easy mounting
- Eye the needle press-fit contact



### TECHNICAL DATA

#### PHYSICAL

- spacing: 2,00 mm x 2,00 mm
- housing: glass-filled LCP (30% glass), colour natural
- flammability rating: UL 94 V-0
- contact material: phosphor bronze
- performance level: Telcordia CO

#### ELECTRICAL

- current rating: 3 A
- insulation resistance:  $5 \times 10^3 \text{ M}\Omega$  initially,  $1 \times 10^3 \text{ M}\Omega$  after tests
- withstanding voltage: 1000 V rms (sea level)

#### MECHANICAL PERFORMANCE

- insertion force: 1,50 N max. per individual power contact (mating)
- withdrawal force: 0,30 N max. per individual power contact (unmating)
- press-fit contact insertion: 55 N max. per pin
- press-fit pin withdrawal: 15 N min. per pin
- recommended hole diameter: 0,65-0,80 mm

#### ENVIRONMENTAL

- Operating temperature -55°C to + 125°C
- RoHs information, this product is compatible according to the European Union Directive 2002/95/IEC

#### PACKAGING

- Standard Tubes

#### PROCESSING INFORMATION

- Applicable process: press fit

#### REFERENCE DATA

- Press-peg application, TA-0941
- Product Specification GS-12-453

#### APPLICATION EQUIPMENT

- for application equipment, check out the application equipment table on page 217-223

### MATING DATA

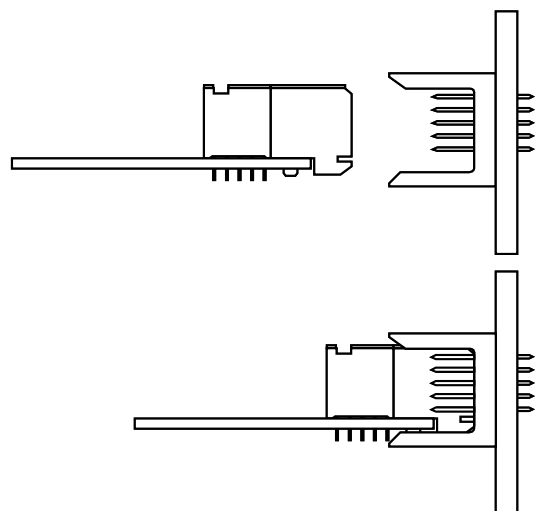
#### Header, straight, press-fit, page 107

- 1 module – part number 89099-111LF

#### Header, straight, solder-to-board, page 105

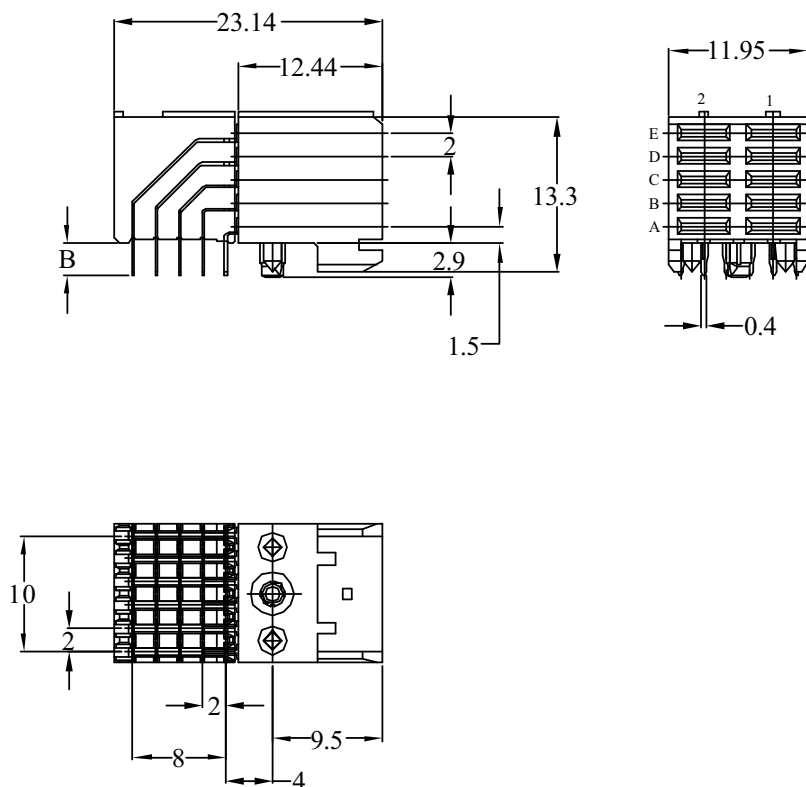
- 1 module – part number 63346-104LF

### TYPICAL APPLICATIONS



# Receptacle, 5 row, power, right angle, press-fit

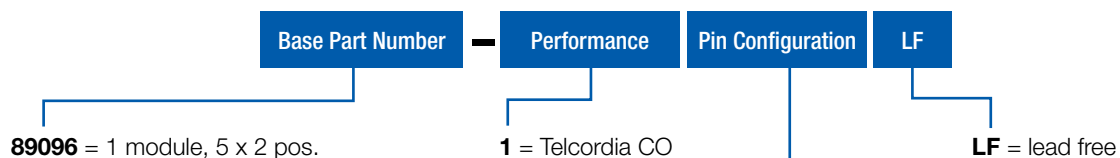
## PRODUCT



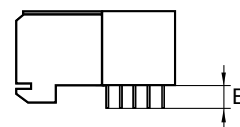
PCB pattern P2, see chapter PCB layouts

## PARTNUMBERS

89096 - 1yyLF



yy	Tail length (B)	PCB Thickness
02	2,73 mm	1,60 mm
12	3,53 mm	2,40 mm



**Note:** blue marked in **tail length** is the preferred recommended standard for other special patterns or loadings, please check drawings, all other configurations on request only

## Receptacle, 5 row, power, right angle, pin-in-paste

### FEATURES

- In accordance with IEC 60917 and IEC 61076-4-104 (Futurebus+)
- 5 x 2 dual beam power blades contacts
- 12 mm power modules are form- and fit interchangeable with signal modules on same footprint
- Modular design guarantees flexibility
- Stackable end-to-end without loss of position
- Stackable with other METRAL® function modules (power, I/O)

### TECHNICAL DATA

#### PHYSICAL

- spacing: 2,00 mm x 2,00 mm
- housing: glass-filled LCP (30% glass), colour natural
- flammability rating: UL 94 V-0
- contact material: phosphor bronze
- performance level: Telcordia CO

#### ELECTRICAL

- current rating: 3 A
- insulation resistance:  $5 \times 10^3 \text{ M}\Omega$  initially,  $1 \times 10^3 \text{ M}\Omega$  after tests
- withstanding voltage: 1000 V rms (sea level)

#### MECHANICAL PERFORMANCE

- insertion force: 1,50 N max. per individual power contact (mating)
- withdrawal force: 0,30 N max. per individual power contact (unmating)
- recommended hole diameter: 0,65-0,80 mm

#### ENVIRONMENTAL

- Operating temperature -55°C to + 125°C
- RoHs information, this product is compatible according to the European Union Directive 2002/95/IEC

#### PACKAGING

- Standard Tubes

#### PROCESSING INFORMATION

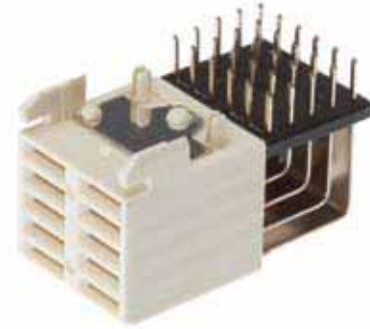
- automatic Surface-mount reflow process, resistance for Lead Free reflow temperature

#### REFERENCE DATA

- Packaging specification GS-14-920
- Product Specification GS-12-453

#### APPLICATION EQUIPMENT

- for application equipment, check out the application equipment table on page 217-223



### MATING DATA

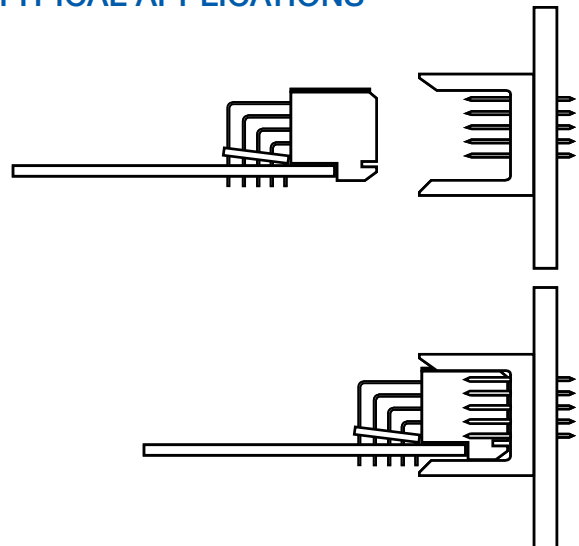
#### Header, straight, press-fit, page 107

- 1 module – part number 89099-111LF

#### Header, straight, solder-to-board, page 105

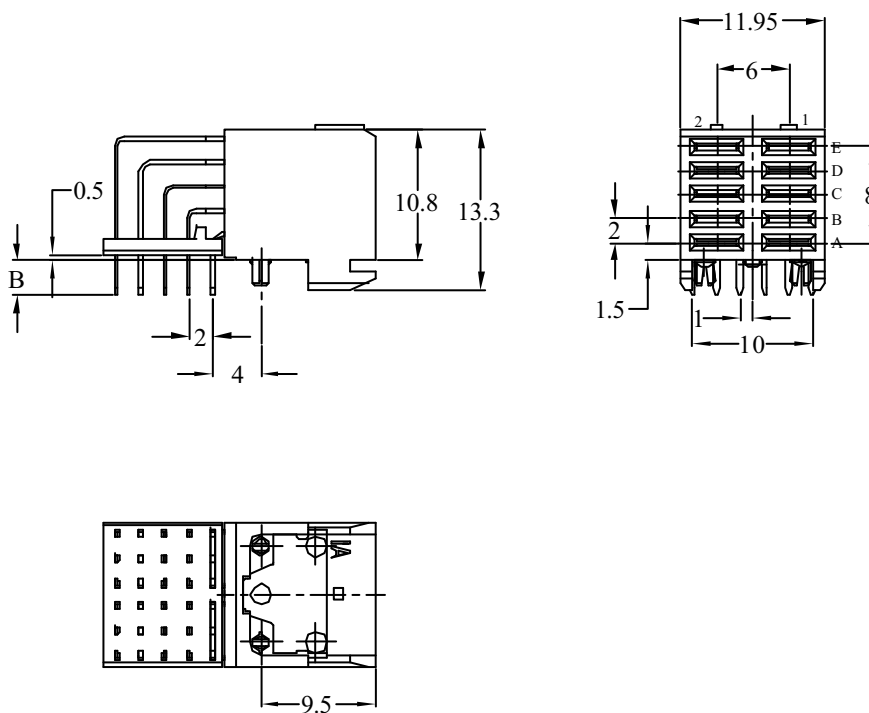
- 1 module – part number 63346-104LF

### TYPICAL APPLICATIONS



# Receptacle, 5 row, power, right angle, pin-in-paste

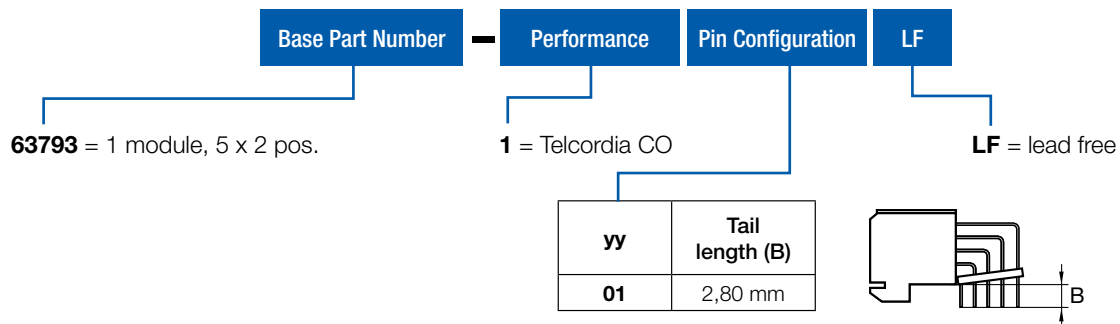
## PRODUCT



PCB pattern P2, see chapter PCB layouts

## PARTNUMBERS

63793 - 101LF








**Note:** for other special patterns or loadings, please check drawings, all other configurations on request only





## METRAL® POWER CONNECTORS REVERSED

-  Header, 4 row, right angle, wide body
-  Header, 4 row, right angle, narrow body
-  Receptacle, 4 row, straight
-  Header, 5 row, right angle, wide body
-  Receptacle, 5 row, straight

## Header, 4 row, power, right angle, solder to board, wide body

### FEATURES

- In accordance with IEC 60917 and IEC 61076-4-104 (Futurebus+)
- 4 x 2 power blades contacts
- 12 mm power modules are form- and fit interchangeable with signal modules on same footprint

### TECHNICAL DATA

#### PHYSICAL

- spacing: 2,00 mm x 2,00 mm
- housing: glass-filled LCP (30% glass), colour natural
- flammability rating: UL 94 V-0
- contact material: phosphor bronze
- performance level: Telcordia CO

#### ELECTRICAL

- current rating: 3 A
- insulation resistance:  $5 \times 10^3 \text{ M}\Omega$  initially,  $1 \times 10^3 \text{ M}\Omega$  after tests
- withstanding voltage: 1000 V rms (sea level)

#### MECHANICAL PERFORMANCE

- insertion force: 1,50 N max. per individual power contact (mating)
- withdrawal force: 0,30 N max. per individual power contact (unmating)
- recommended hole diameter: 0,65-0,80 mm

#### ENVIRONMENTAL

- Operating temperature  $-55^\circ\text{C}$  to  $+125^\circ\text{C}$
- RoHs information, this product is compatible according to the European Union Directive 2002/95/IEC

#### PACKAGING

- Standard Tubes

#### PROCESSING INFORMATION

- Applicable process: wave, IR, vapor phase

#### REFERENCE DATA

- Product specification: GS-12-446
- Application Specification BUS-20-075

#### APPLICATION EQUIPMENT

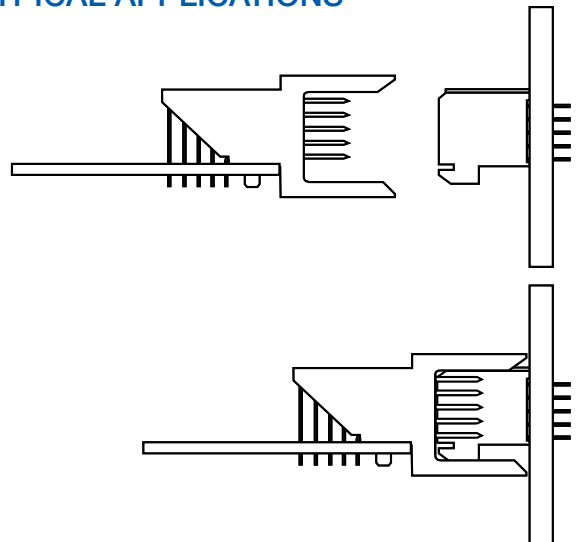
- for application equipment, check out the application equipment table on page 217-223



### MATING DATA

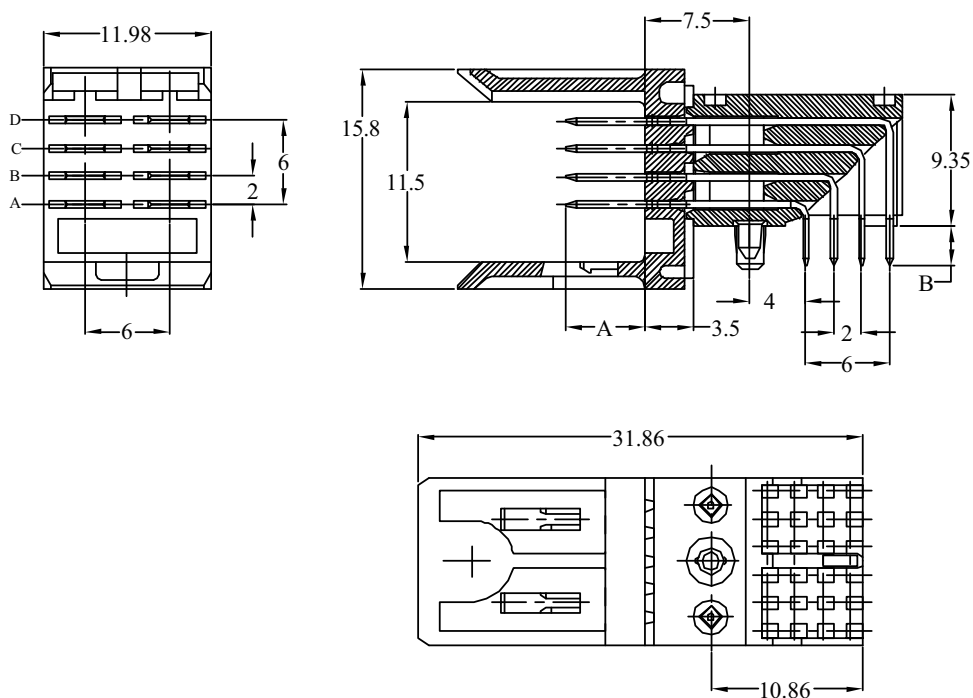
- Receptacle, straight, solder-to-board, page 123
- part number 85968-101LF

### TYPICAL APPLICATIONS



# Header, 4 row, power, right angle, solder to board, wide body

## PRODUCT



PCB pattern P1, see chapter PCB layouts

## PARTNUMBERS

**HM1K4 1 DAP000H6PLF**

Base Part Number	Type	no. of rows	no. of pos.	Configuration	000	Performance	Packaging	LF						
<b>HM1</b>	<b>K</b> = power header right angle	<b>4</b> = 4 row	<b>1</b> = 1 module (4 x 2 pos.)	<b>DAP</b> = solder to board <table border="1"> <thead> <tr> <th>mating length (A)</th> <th>tail length (B)</th> </tr> </thead> <tbody> <tr> <td>6,50 mm</td> <td>2,90 mm</td> </tr> <tr> <td colspan="2">1,6 mm PCB thickness</td> </tr> </tbody> </table>	mating length (A)	tail length (B)	6,50 mm	2,90 mm	1,6 mm PCB thickness			<b>H6</b> = Telcordia CO	<b>P</b> = trays	<b>LF</b> = lead free
mating length (A)	tail length (B)													
6,50 mm	2,90 mm													
1,6 mm PCB thickness														

**Note:** for other special patterns or loadings, please check drawings, all other configurations on request only

## Header, 4 row, power, right angle, press-fit, wide body

### FEATURES

- In accordance with IEC 60917 and IEC 61076-4-104 (Futurebus+)
- 4 x 2 power blades contacts
- 12 mm power modules are form- and fit interchangeable with signal modules on same footprint
- Eye the needle press-fit contact

### TECHNICAL DATA

#### PHYSICAL

- spacing: 2,00 mm x 2,00 mm
- housing: glass-filled LCP (30% glass), colour natural
- flammability rating: UL 94 V-0
- contact material: phosphor bronze
- performance level: Telcordia CO

#### ELECTRICAL

- current rating: 3 A
- insulation resistance:  $5 \times 10^3 \text{ M}\Omega$  initially,  $1 \times 10^3 \text{ M}\Omega$  after tests
- withstanding voltage: 1000 V rms (sea level)

#### MECHANICAL PERFORMANCE

- insertion force: 1,50 N max. per individual power contact (mating)
- withdrawal force: 0,30 N max. per individual power contact (unmating)
- press-fit contact insertion: 55 N max. per pin
- press-fit pin withdrawal: 15 N min. per pin
- recommended hole diameter: 0,65-0,80 mm

#### ENVIRONMENTAL

- Operating temperature -55°C to + 125°C
- RoHs information, this product is compatible according to the European Union Directive 2002/95/IEC

#### PACKAGING

- Trays

#### PROCESSING INFORMATION

- Applicable process: press fit

#### REFERENCE DATA

- Product specification: GS-12-445
- Application Specification BUS-20-075

#### APPLICATION EQUIPMENT

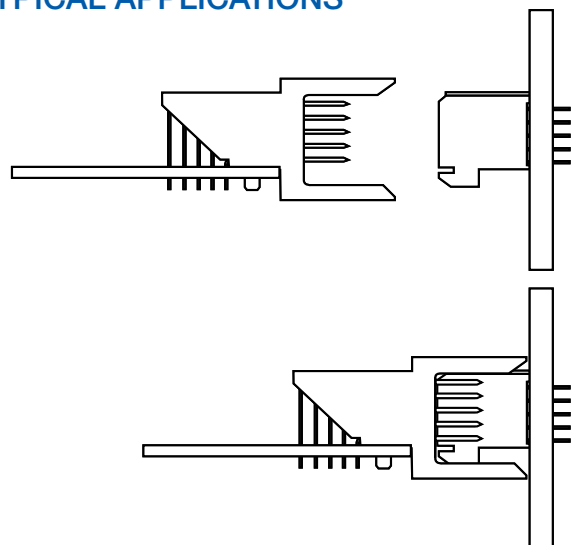
- for application equipment, check out the application equipment table on page 217-223



### MATING DATA

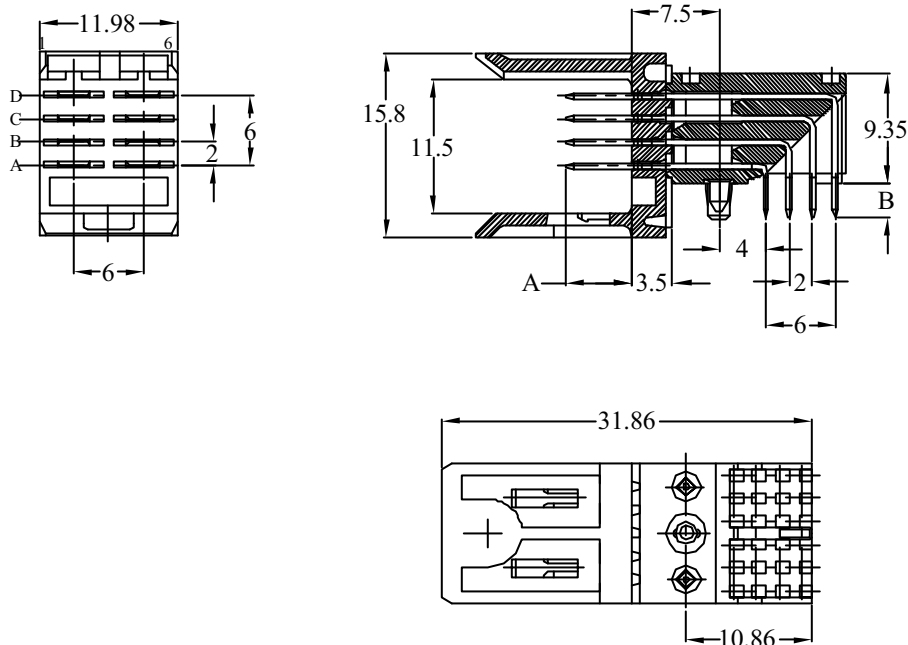
- Receptacle, straight, solder-to-board, page 123
- part number 85968-101LF

### TYPICAL APPLICATIONS



# Header, 4 row, power, right angle, press-fit, wide body

## PRODUCT



PCB pattern P1, see chapter PCB layouts

## PARTNUMBERS

**HM1K4 1 DDP000H6PLF**

Base Part Number	Type	no. of rows	no. of pos.	Configuration	000	Performance	Packaging	LF
------------------	------	-------------	-------------	---------------	-----	-------------	-----------	----

**HM1**

**K** = power header right angle

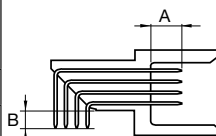
**4** = 4 row

**DDP** = press fit

**H6** = Telcordia CO

**LF** = lead free

mating length (A)	tail length (B)
6,50 mm	2,90 mm
1,6 mm PCB thickness	



**P** = trays

**1** = 1 module (4 x 2 pos.)

**Note:** for other special patterns or loadings, please check drawings, all other configurations on request only

## Header, 4 row, power, right angle, pin-in-paste, wide body

### FEATURES

- In accordance with IEC 60917 and IEC 61076-4-104 (Futurebus+)
- 4 x 2 power blades contacts
- 12 mm power modules are form- and fit interchangeable with signal modules on same footprint

### TECHNICAL DATA

#### PHYSICAL

- spacing: 2,00 mm x 2,00 mm
- housing: glass-filled LCP (30% glass), colour natural
- flammability rating: UL 94 V-0
- contact material: phosphor bronze
- performance level: Telcordia CO

#### ELECTRICAL

- current rating: 3 A
- insulation resistance:  $5 \times 10^3 \text{ M}\Omega$  initially,  $1 \times 10^3 \text{ M}\Omega$  after tests
- withstanding voltage: 1000 V rms (sea level)

#### MECHANICAL PERFORMANCE

- insertion force: 1,50 N max. per individual power contact (mating)
- withdrawal force: 0,30 N max. per individual power contact (unmating)
- recommended hole diameter: 0,65-0,80 mm

#### ENVIRONMENTAL

- Operating temperature  $-55^\circ\text{C}$  to  $+125^\circ\text{C}$
- RoHs information, this product is compatible according to the European Union Directive 2002/95/IEC

#### PACKAGING

- Trays

#### PROCESSING INFORMATION

- Pick&place by vacuum nozzle or mechanical gripper
- automatic Surface-mount reflow process, resistance for Lead Free reflow temperature

#### REFERENCE DATA

- Product specification: GS-12-446
- Application Specification BUS-20-075

#### APPLICATION EQUIPMENT

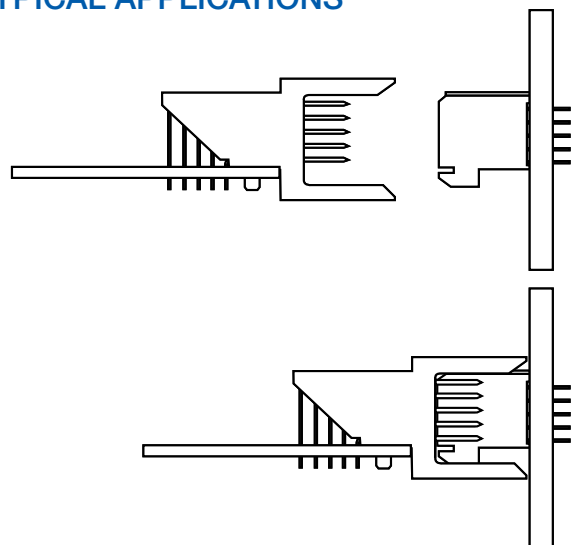
- for application equipment, check out the application equipment table on page 217-223



### MATING DATA

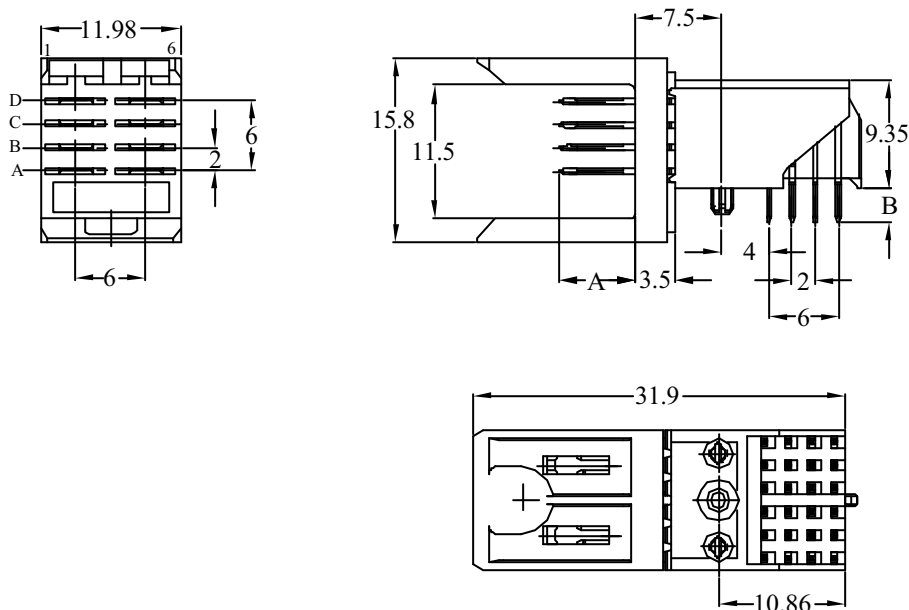
- Receptacle, straight, solder-to-board, page 123
- part number 85968-101LF

### TYPICAL APPLICATIONS



# Header, 4 row, power, right angle, pin-in-paste, wide body

## PRODUCT



PCB pattern P1, see chapter PCB layouts

## PARTNUMBERS

HM1K4 1 DFP000H6PLF

Base Part Number	Type	no. of rows	no. of pos.	Configuration	000	Performance	Packaging	LF
------------------	------	-------------	-------------	---------------	-----	-------------	-----------	----

HM1

K = power header right angle

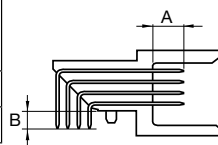
4 = 4 row

DFP = Pin-in-Paste

mating length (A)	tail length (B)
6,50 mm	2,90 mm
1,6 mm PCB thickness	

H6 = Telcordia CO

LF = lead free



P = trays

1 = 1 module (4 x 2 pos.)

**Note:** for other special patterns or loadings, please check drawings, all other configurations on request only

## Receptacle, 4 row, power, straight, solder to board

### FEATURES

- In accordance with IEC 60917 and IEC 61076-4-104 (Futurebus+)
- 4 x 2 dual beam power blades contacts
- 12 mm power modules are form- and fit interchangeable with signal modules on same footprint
- Modular design guarantees flexibility
- Stackable end-to-end without loss of position
- Stackable with other METRAL® function modules (power, I/O)

### TECHNICAL DATA

#### PHYSICAL

- spacing: 2,00 mm x 2,00 mm
- housing: glass-filled LCP (30% glass), colour natural
- flammability rating: UL 94 V-0
- contact material: phosphor bronze
- performance level: Telcordia CO

#### ELECTRICAL

- current rating: 3 A
- insulation resistance:  $5 \times 10^3 \text{ M}\Omega$  initially,  $1 \times 10^3 \text{ M}\Omega$  after tests
- withstanding voltage: 1000 V rms (sea level)

#### MECHANICAL PERFORMANCE

- insertion force: 1,50 N max. per individual power contact (mating)
- withdrawal force: 0,30 N max. per individual power contact (unmating)
- recommended hole diameter: 0,65-0,80 mm

#### ENVIRONMENTAL

- Operating temperature  $-55^\circ\text{C}$  to  $+125^\circ\text{C}$
- RoHs information, this product is compatible according to the European Union Directive 2002/95/IEC

#### PACKAGING

- Trays

#### PROCESSING INFORMATION

- Applicable process: wave, IR, vapor phase

#### REFERENCE DATA

- Product Specification GS-12-453

#### APPLICATION EQUIPMENT

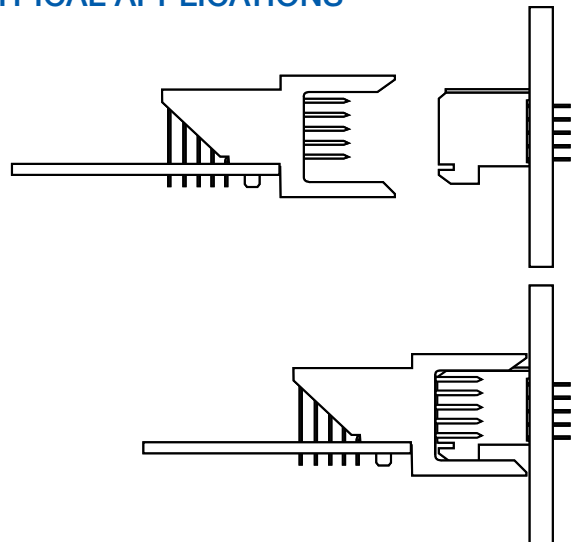
- for application equipment, check out the application equipment table on page 217-223



### MATING DATA

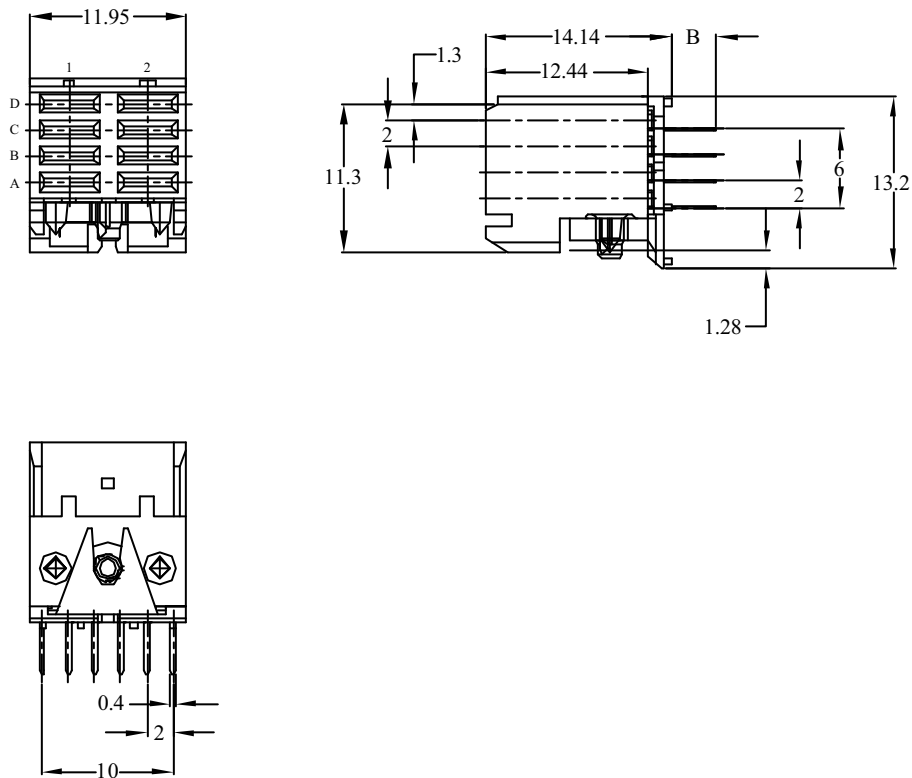
- Header, right angle, press-fit, page 119
  - part number HM1K41DDP000H6PLF
- Header, right angle, solder-to-board, page 117
  - part number HM1K41DAP000H6PLF
- Header, right angle, Pin-in-Paste, page 121
  - part number HM1K41DFP000H6PLF

### TYPICAL APPLICATIONS



# Receptacle, 4 row, power, straight, solder to board

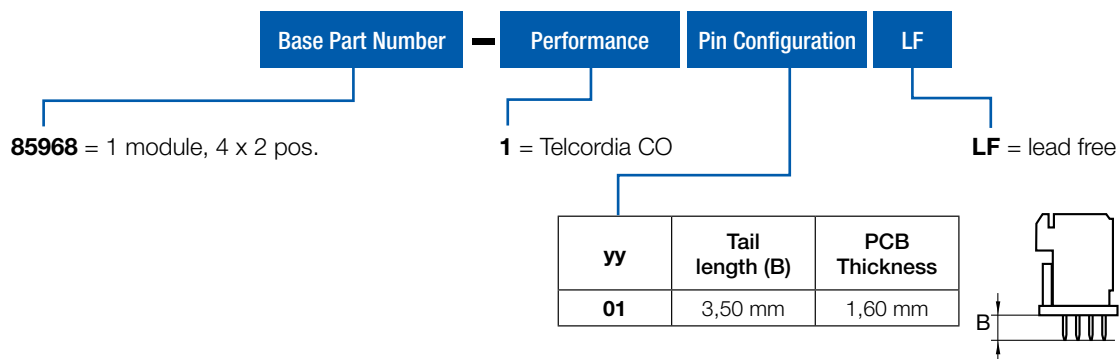
## PRODUCT



PCB pattern P5, see chapter PCB layouts

## PARTNUMBERS

85968 - 101LF



**Note:** for other special patterns or loadings, please check drawings, all other configurations on request only

## Header, 5 row, power, right angle, solder to board, wide body

### FEATURES

- In accordance with IEC 60917 and IEC 61076-4-104 (Futurebus+)
- 5 x 2 power blades contacts
- 12 mm power modules are form- and fit interchangeable with signal modules on same footprint

### TECHNICAL DATA

#### PHYSICAL

- spacing: 2,00 mm x 2,00 mm
- housing: glass-filled LCP (30% glass), colour natural
- flammability rating: UL 94 V-0
- contact material: phosphor bronze
- performance level: Telcordia CO

#### ELECTRICAL

- current rating: 3 A
- insulation resistance:  $5 \times 10^3 \text{ M}\Omega$  initially,  $1 \times 10^3 \text{ M}\Omega$  after tests
- withstanding voltage: 1000 V rms (sea level)

#### MECHANICAL PERFORMANCE

- insertion force: 1,50 N max. per individual power contact (mating)
- withdrawal force: 0,30 N max. per individual power contact (unmating)
- recommended hole diameter: 0,65-0,80 mm

#### ENVIRONMENTAL

- Operating temperature  $-55^\circ\text{C}$  to  $+125^\circ\text{C}$
- RoHs information, this product is compatible according to the European Union Directive 2002/95/IEC

#### PACKAGING

- Trays

#### PROCESSING INFORMATION

- Applicable process: wave, IR, vapor phase

#### REFERENCE DATA

- Product specification: GS-12-446
- Application Specification BUS-20-075

#### APPLICATION EQUIPMENT

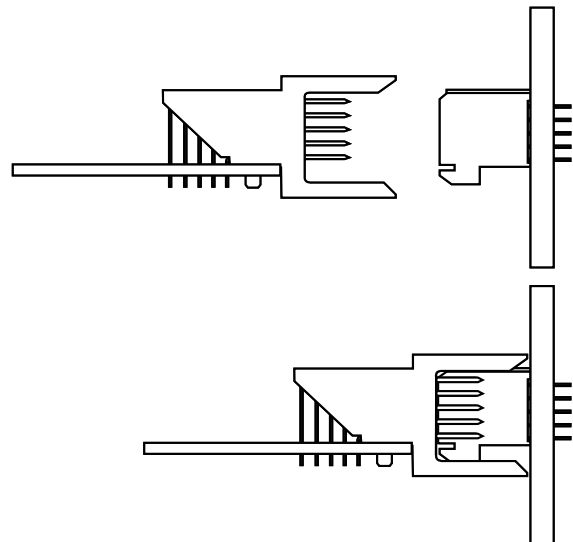
- for application equipment, check out the application equipment table on page 217-223



### MATING DATA

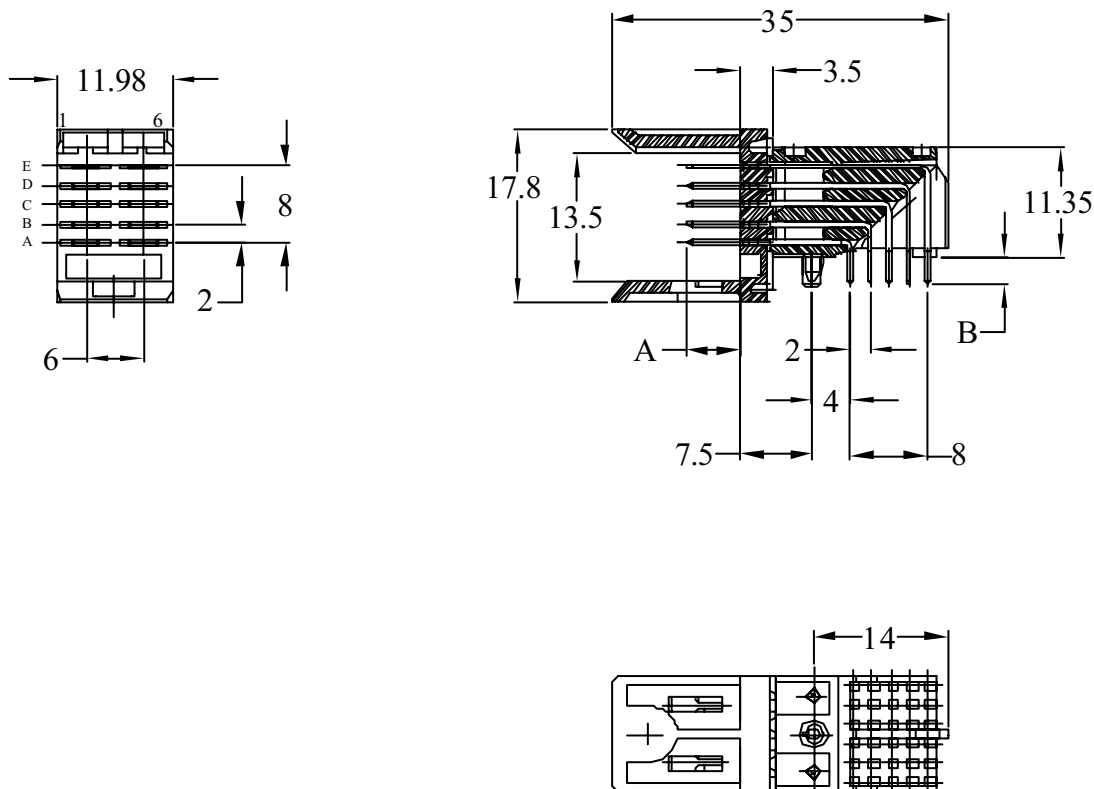
- Receptacle, straight, solder-to-board, page 131
- part number 94561-112LF

### TYPICAL APPLICATIONS



# Header, 5 row, power, right angle, solder to board, wide body

## PRODUCT



PCB pattern P2, see chapter PCB layouts

## PARTNUMBERS

**HM1K5 1 DAP000H6PLF**

Base Part Number	Type	no. of rows	no. of pos.	Configuration	000	Performance	Packaging	LF					
<b>HM1</b>	<b>K</b> = power header right angle	<b>5</b> = 5 row	<b>DAP</b> = solder to board	<table border="1"> <thead> <tr> <th>mating length (A)</th> <th>tail length (B)</th> </tr> </thead> <tbody> <tr> <td>6,50 mm</td> <td>2,90 mm</td> </tr> <tr> <td colspan="2">1,6 mm PCB thickness</td> </tr> </tbody> </table>	mating length (A)	tail length (B)	6,50 mm	2,90 mm	1,6 mm PCB thickness		<b>H6</b> = Telcordia CO	<b>P</b> = trays	<b>LF</b> = lead free
mating length (A)	tail length (B)												
6,50 mm	2,90 mm												
1,6 mm PCB thickness													
<b>1</b> = 1 module (5 x 2 pos.)													

**Note:** for other special patterns or loadings, please check drawings, all other configurations on request only

## Header, 5 row, power, right angle, press-fit, wide body

### FEATURES

- In accordance with IEC 60917 and IEC 61076-4-104 (Futurebus+)
- 5 x 2 power blades contacts
- 12 mm power modules are form- and fit interchangeable with signal modules on same footprint
- Eye the needle press-fit contac

### TECHNICAL DATA

#### PHYSICAL

- spacing: 2,00 mm x 2,00 mm
- housing: glass-filled LCP (30% glass), colour natural
- flammability rating: UL 94 V-0
- contact material: phosphor bronze
- performance level: Telcordia CO

#### ELECTRICAL

- current rating: 3 A
- insulation resistance:  $5 \times 10^3 \text{ M}\Omega$  initially,  $1 \times 10^3 \text{ M}\Omega$  after tests
- withstanding voltage: 1000 V rms (sea level)

#### MECHANICAL PERFORMANCE

- insertion force: 1,50 N max. per individual power contact (mating)
- withdrawal force: 0,30 N max. per individual power contact (unmating)
- press-fit contact insertion: 55 N max. per pin
- press-fit pin withdrawal: 15 N min. per pin
- recommended hole diameter: 0,65-0,80 mm

#### ENVIRONMENTAL

- Operating temperature -55°C to + 125°C
- RoHs information, this product is compatible according to the European Union Directive 2002/95/IEC

#### PACKAGING

- Trays

#### PROCESSING INFORMATION

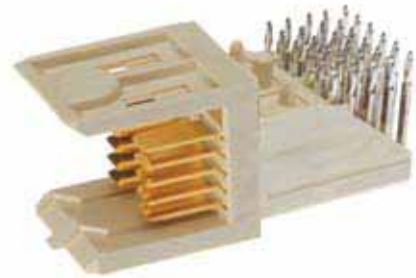
- Applicable process: press fit

#### REFERENCE DATA

- Product specification: GS-12-445
- Application Specification BUS-20-075

#### APPLICATION EQUIPMENT

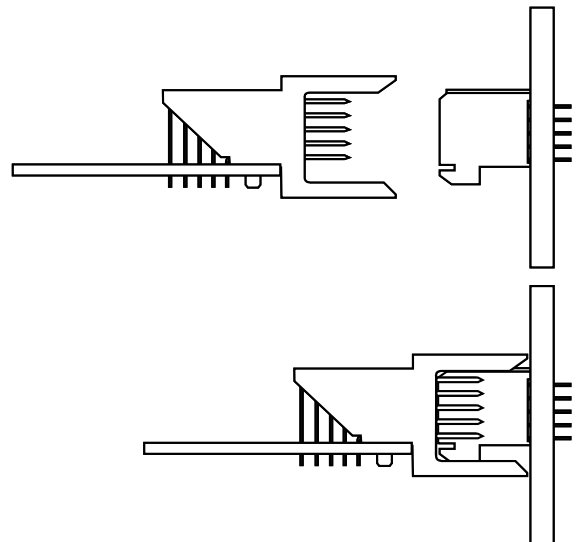
- for application equipment, check out the application equipment table on page 217-223



### MATING DATA

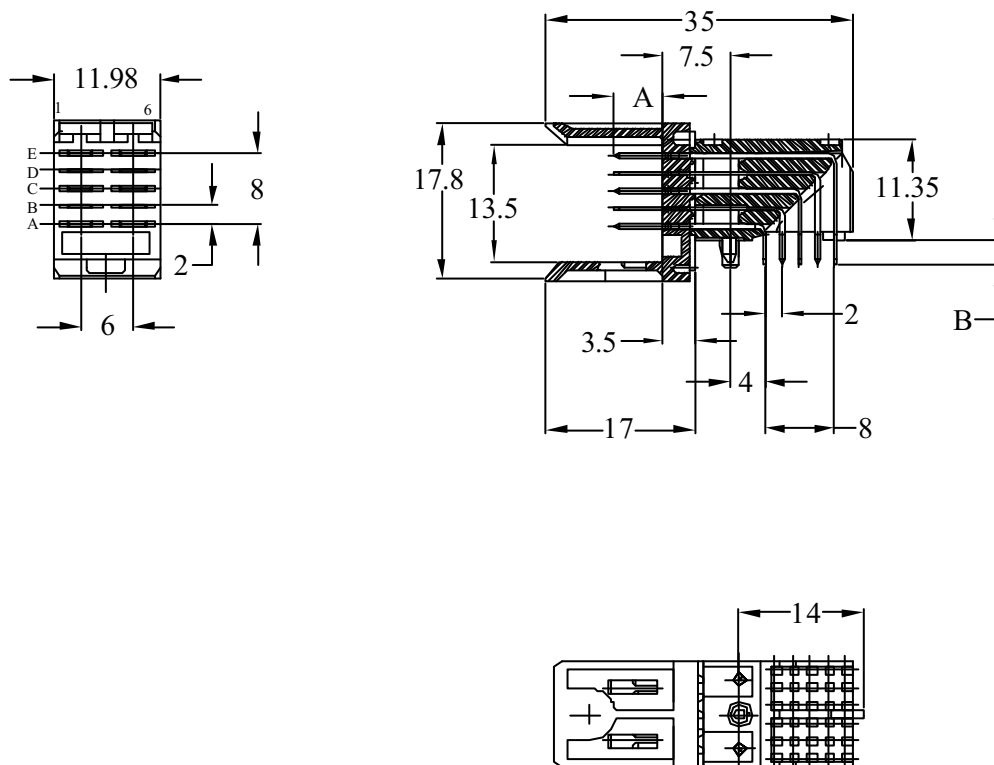
- Receptacle, straight, solder-to-board, page 131
- part number 94561-112LF

### TYPICAL APPLICATIONS



# Header, 5 row, power, right angle, press-fit, wide body

## PRODUCT



PCB pattern P2, see chapter PCB layouts

## PARTNUMBERS

**HM1K5 1 DDP000H6PLF**

Base Part Number	Type	no. of rows	no. of pos.	Configuration	000	Performance	Packaging	LF
<b>HM1</b>	<b>K</b> = power header right angle	<b>5</b> = 5 row	<b>1</b> = 1 module (5 x 2 pos.)	<b>DDP</b> = press fit		<b>H6</b> = Telcordia CO	<b>P</b> = trays	<b>LF</b> = lead free

mating length (A)	tail length (B)
6,50 mm	2,90 mm
1,6 mm PCB thickness	

**Note:** for other special patterns or loadings, please check drawings, all other configurations on request only

## Header, 5 row, power, right angle, pin-in-paste, wide body

### FEATURES

- In accordance with IEC 60917 and IEC 61076-4-104 (Futurebus+)
- 5 x 2 power blades contacts
- 12 mm power modules are form- and fit interchangeable with signal modules on same footprint

### TECHNICAL DATA

#### PHYSICAL

- spacing: 2,00 mm x 2,00 mm
- housing: glass-filled LCP (30% glass), colour natural
- flammability rating: UL 94 V-0
- contact material: phosphor bronze
- performance level: Telcordia CO

#### ELECTRICAL

- current rating: 3 A
- insulation resistance:  $5 \times 10^3 \text{ M}\Omega$  initially,  $1 \times 10^3 \text{ M}\Omega$  after tests
- withstanding voltage: 1000 V rms (sea level)

#### MECHANICAL PERFORMANCE

- insertion force: 1,50 N max. per individual power contact (mating)
- withdrawal force: 0,30 N max. per individual power contact (unmating)
- recommended hole diameter: 0,65-0,80 mm

#### ENVIRONMENTAL

- Operating temperature -55°C to + 125°C
- RoHs information, this product is compatible according to the European Union Directive 2002/95/IEC

#### PACKAGING

- Trays

#### PROCESSING INFORMATION

- Pick&place by vacuum nozzle or mechanical gripper
- automatic Surface-mount reflow process, resistance for Lead Free reflow temperature

#### REFERENCE DATA

- Product specification: GS-12-446
- Application Specification BUS-20-075

#### APPLICATION EQUIPMENT

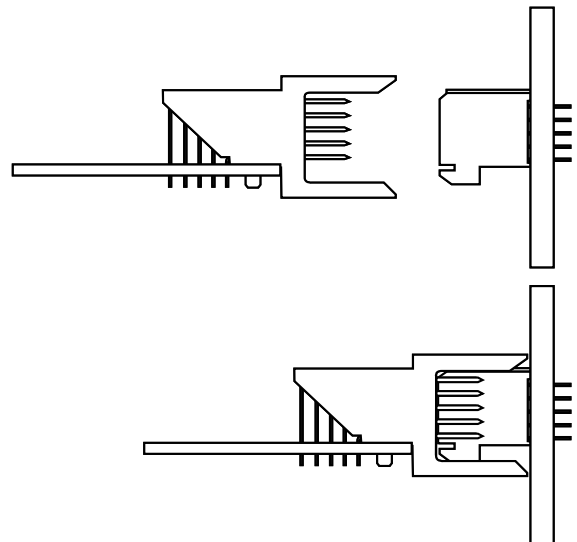
- for application equipment, check out the application equipment table on page 217-223



### MATING DATA

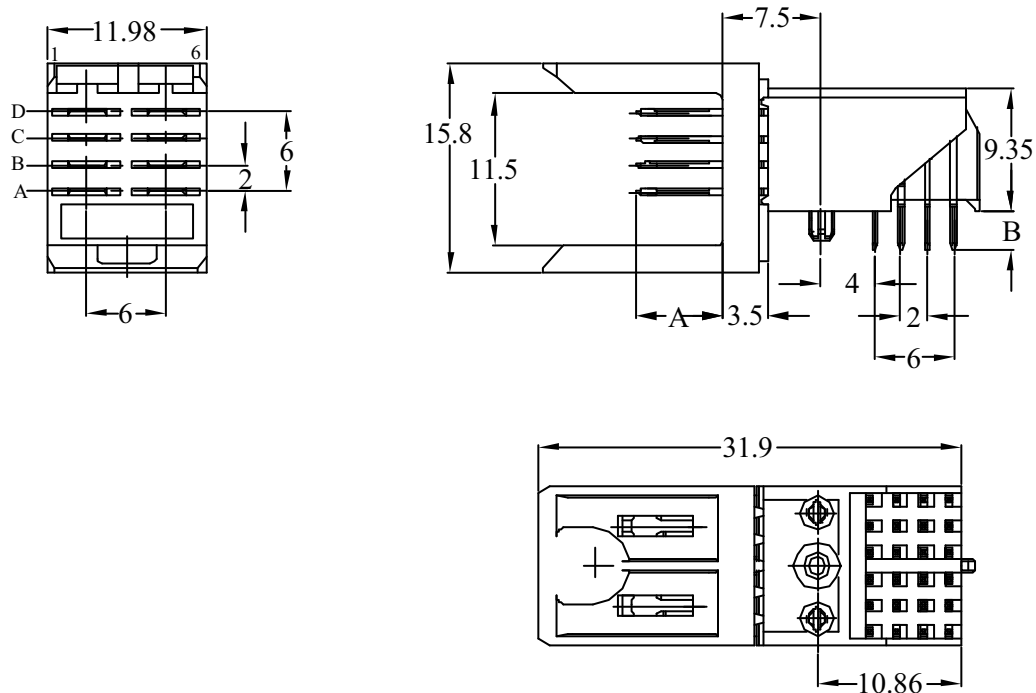
- Receptacle, straight, solder-to-board, page 131
- part number 94561-112LF

### TYPICAL APPLICATIONS



# Header, 5 row, power, right angle, pin-in-paste, wide body

## PRODUCT



PCB pattern P2, see chapter PCB layouts

## PARTNUMBERS

**HM1K5 1 DFP000H6PLF**

Base Part Number	Type	no. of rows	no. of pos.	Configuration	000	Performance	Packaging	LF
------------------	------	-------------	-------------	---------------	-----	-------------	-----------	----

**HM1**

**K** = power header right angle

**5** = 5 row

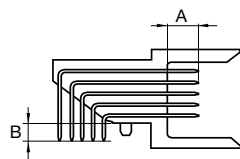
**DFP** = Pin-in-Paste

mating length (A)	tail length (B)
6,50 mm	2,90 mm
1,6 mm PCB thickness	

**H6** = Telcordia CO

**LF** = lead free

**P** = trays



**1** = 1 module (5 x 2 pos.)

**Note:** for other special patterns or loadings, please check drawings, all other configurations on request only

## Receptacle, 5 row, power, straight, solder to board

### FEATURES

- In accordance with IEC 60917 and IEC 61076-4-104 (Futurebus+)
- 5 x 2 dual beam power blades contacts
- 12 mm power modules are form- and fit interchangeable with signal modules on same footprint
- Modular design guarantees flexibility
- Stackable end-to-end without loss of position
- Stackable with other METRAL® function modules (power, I/O)

### TECHNICAL DATA

#### PHYSICAL

- spacing: 2,00 mm x 2,00 mm
- housing: glass-filled LCP (30% glass), colour natural
- flammability rating: UL 94 V-0
- contact material: phosphor bronze
- performance level: Telcordia CO

#### ELECTRICAL

- current rating: 3 A
- insulation resistance: 5x10<sup>3</sup> MΩ initially, 1x10<sup>3</sup> MΩ after tests
- withstanding voltage: 1000 V rms (sea level)

#### MECHANICAL PERFORMANCE

- insertion force: 1,50 N max. per individual power contact (mating)
- withdrawal force: 0,30 N max. per individual power contact (unmating)
- recommended hole diameter: 0,65-0,80 mm

#### ENVIRONMENTAL

- Operating temperature -55°C to + 125°C
- RoHs information, this product is compatible according to the European Union Directive 2002/95/IEC

#### PACKAGING

- Standard Tubes

#### PROCESSING INFORMATION

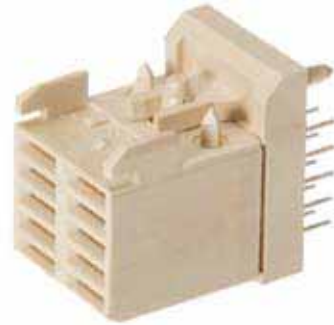
- Applicable process: wave, IR, vapor phase

#### REFERENCE DATA

- Product Specification GS-12-453

#### APPLICATION EQUIPMENT

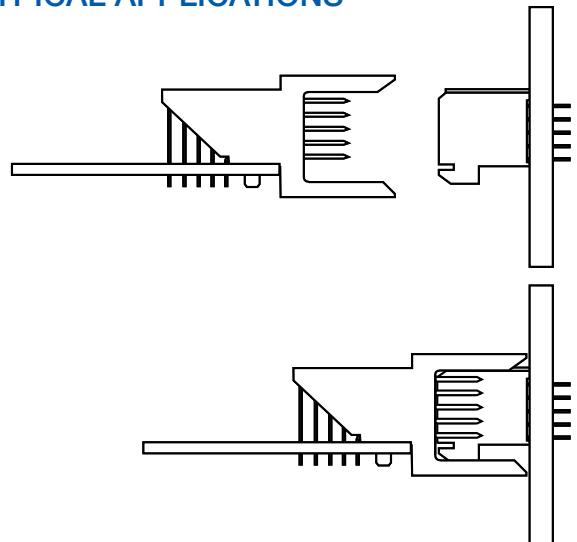
- for application equipment, check out the application equipment table on page 217-223



### MATING DATA

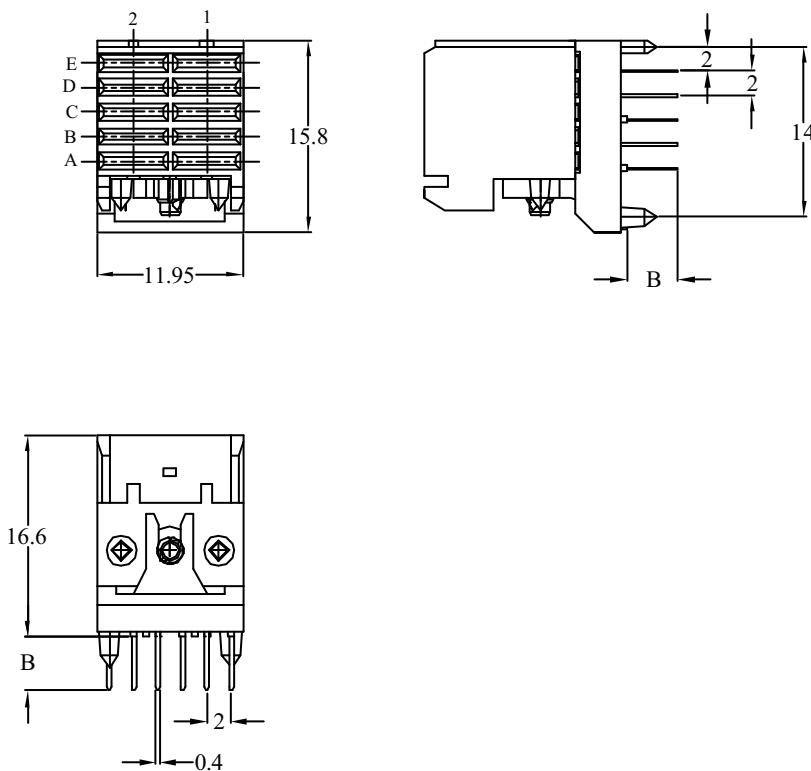
- Header, right angle, press-fit, page 127
  - part number HM1K451DDP000H6PLF
- Header, right angle, solder-to-board, page 125
  - part number HM1K51DAP000H6PLF
- Header, right angle, Pin-in-Paste, page 129
  - part number HM1K51DFP000H6PLF

### TYPICAL APPLICATIONS



# Receptacle, 5 row, power, straight, solder to board

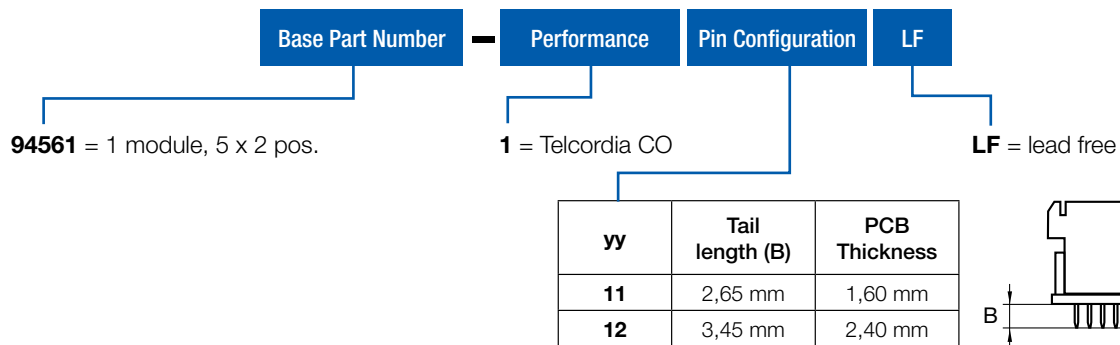
## PRODUCT



PCB pattern P16, see chapter PCB layouts

## PARTNUMBERS

94561 - 1yyLF



**Note:** for other special patterns or loadings, please check drawings, all other configurations on request only

For more information about e-catalog or FCI  
sales offices, headquarters, agents and local distributors,  
visit [www.fci.com](http://www.fci.com)



Americas - Phone: 1 (800) 237 2374 ■ Europe - - Phone: 33 1 39 49 21 83 ■ Asia/Pacific - Phone: 65 6549 6666

ELXMETRAL0108EA4E